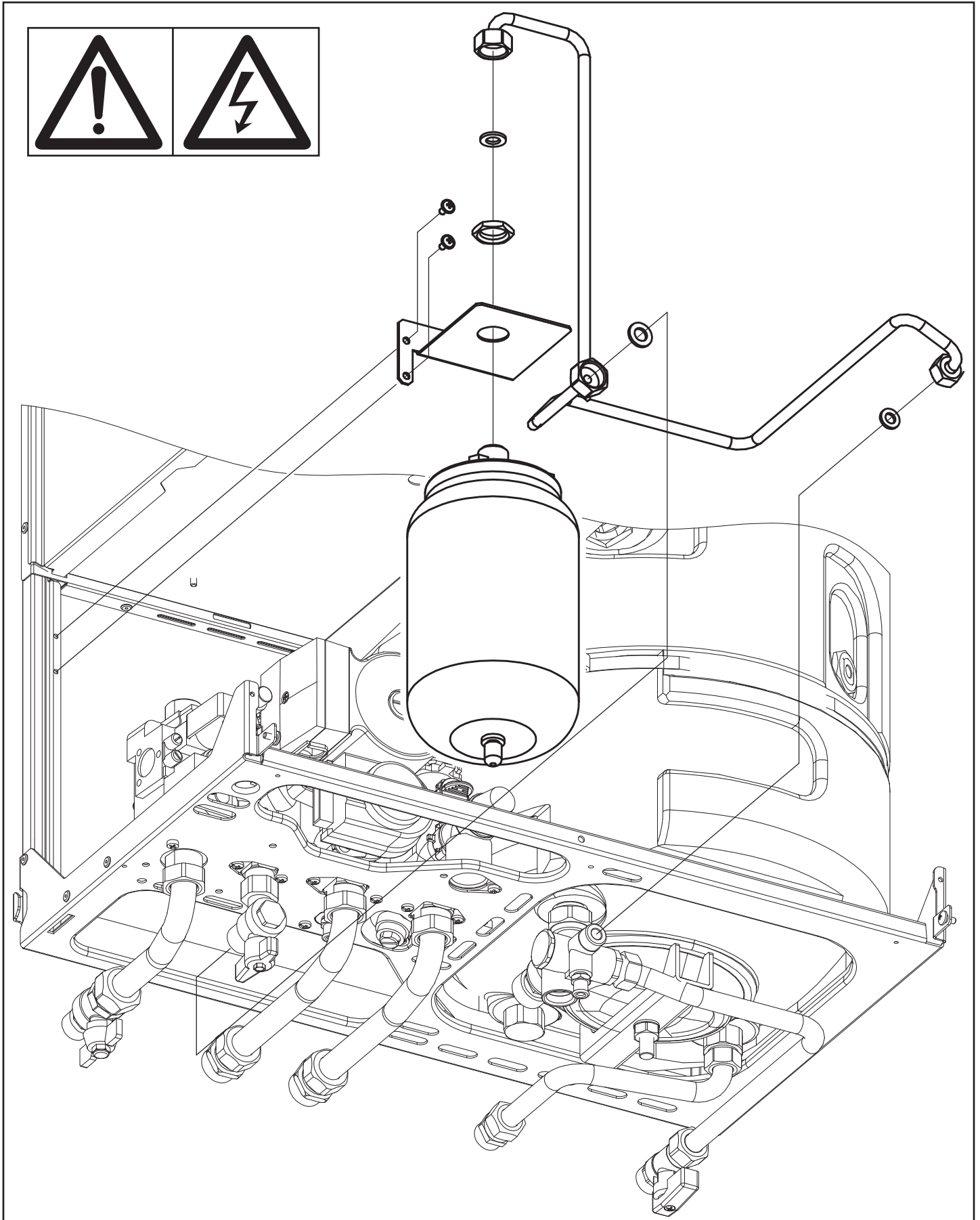




IMMERGAS

COD. 3.017744



COD. 1.026226 REV. 15.025744/000