

MANUALS
USERS

Instructions and warnings **IE**
Installer
User
Maintenance technician

1.04884ENG



EOLO MYTHOS DOM 10-18-24 1E



CONTENTS

Dear Customer.....	4	2.2	Cleaning and maintenance.....	29
General warnings	4	2.3	Control panel.....	29
Safety symbols used.....	5	2.4	Ignition of the boiler.....	30
Personal protective equipment.....	5	2.5	Fault and anomaly signals.....	30
1 Boiler installation.....	6	2.6	Information Menu.....	32
1.1 Installation recommendations.....	6	2.7	Resetting the anomaly history.....	32
1.2 Main dimensions.....	9	2.8	Boiler shutdown.....	32
1.3 Minimum installation distances.....	9	2.9	Restore central heating system pressure.....	33
1.4 Boiler connection group (Optional).....	10	2.10	Draining the system.....	33
1.5 Gas connection.....	10	2.11	Cleaning the case.....	33
1.6 Hydraulic connection.....	11	2.12	Decommissioning.....	33
1.7 Electrical connection.....	12			
1.8 Remote controls and room chrono-thermostats (Optional).....	13	3	Instructions for maintenance and initial check.....	34
1.9 Immergas flue systems.....	14	3.1	General warnings.....	34
1.10 Tables of resistance factors and equivalent lengths.....	16	3.2	Initial check.....	34
1.11 Concentric horizontal kit installation.....	17	3.3	Yearly appliance check and maintenance.....	35
1.12 Concentric vertical Kit installation.....	18	3.4	Boiler Hydraulic diagram.....	36
1.13 Separator kit installation.....	19	3.5	Wiring diagram.....	37
1.14 Ducting of flues or technical slots.....	22	3.6	Possible problems and their causes.....	38
1.15 Configuration for C6 flue installation.....	22	3.7	Converting the boiler to other types of gas.....	39
1.16 Configuration type B, open chamber and fan assisted for indoors.....	23	3.8	Gas valve calibration.....	39
1.17 Flue exhaust to flue/chimney.....	23	3.9	Programming the P.C.B.....	41
1.18 Flues, chimneys and chimney caps.....	23	3.10	"Chimney sweep" function.....	42
1.19 System filling.....	23	3.11	Heating Timer.....	42
1.20 System filling.....	24	3.12	Three-way anti-block system.....	42
1.21 Gas system start-up.....	24	3.13	Pump anti-block function.....	42
1.22 Boiler start up (ignition).....	24	3.14	P.C.B. periodical self-check.....	42
1.23 Circulation pump.....	25	3.15	Casing removal.....	43
1.24 Kits available on request.....	25			
1.25 Boiler components.....	26	4	Technical data.....	44
2 Instructions for use and maintenance.....	27	4.1	Variable heat output.....	44
2.1 General warnings.....	27	4.2	Combustion parameters.....	45
		4.3	Technical data.....	46
		4.4	Key for Data nameplate.....	47

Dear Customer,

Congratulations for having chosen a top-quality Immergas product, able to assure well-being and safety for a long period of time. As an Immergas customer you can also count on a Qualified Technical Assistance Centre, prepared and updated to guarantee constant efficiency of your appliance. Read the following pages carefully: you will be able to draw useful tips on the proper use of the device, compliance with which will confirm your satisfaction with the Immergas product.

For any assistance and scheduled maintenance please contact Authorised After-Sales centres: they have original spare parts and are specifically trained by the manufacturer.

GENERAL WARNINGS

This book contains important information for the:

Installer (section 1);

User (section 2);

Maintenance Technician (section 3).

- The user must carefully read the instructions in the specific section (section 2).
- The user must limit operations on the appliance only to those explicitly allowed in the specific section.
- **Every operation carried out on the heat pump (e.g. set up, inspection, installation and commissioning), must mandatorily be performed by authorised personnel alone and in possession of a technical engineering or professional degree qualifying them to perform these tasks. They must also have attended a refresher course acknowledged by competent authorities. This particularly applies to personal specialised in C.H. and air-conditioning systems and qualified electricians who, due to their specialised training, skills and experience are experts in the correct installation and maintenance of C.H., cooling and air-conditioning systems.**
- The appliance must be installed by qualified and professionally trained personnel.
- The instruction booklet is an integral and essential part of the product and must be given to the new user in the case of transfer or succession of ownership.
- It must be stored with care and consulted carefully, as all of the warnings provide important safety indications for installation, use and maintenance stages.
- In compliance with legislation in force, the systems must be designed by qualified professionals, within the dimensional limits established by the Law. Installation and maintenance must be performed in compliance with the regulations in force, according to the manufacturer's instructions and by professionally qualified staff, intended as staff with specific technical skills in the system sector, as envisioned by the Law.
- Improper installation or assembly of the Immergas appliance and/or components, accessories, kits and devices can cause unexpected problems for people, animals and objects. Read the instructions provided with the product carefully to ensure proper installation.
- This instructions manual provides technical information for installing Immergas products. As for the other issues related to the installation of products (e.g. safety at the workplace, environmental protection, accident prevention), it is necessary to comply with the provisions of the standards in force and the principles of good practice.
- All Immergas products are protected with suitable transport packaging.
- The material must be stored in a dry place protected from the weather.
- Damaged products must not be installed.
- Maintenance must be carried out by skilled technical staff that represents a guarantee of qualifications and professionalism.
- The appliance must only be destined for the use for which it has been expressly declared. Any other use will be considered improper and therefore potentially dangerous.
- If errors occur during installation, operation and maintenance, due to non-compliance with technical laws in force, standards or instructions contained in this book (or however supplied by the manufacturer), the manufacturer is excluded from any contractual and extra-contractual liability for any damage and the appliance warranty is invalidated.
- In the event of malfunctions, faults or incorrect operation, turn the appliance off and contact an authorised company (e.g. the Authorised Technical Assistance Centre, which has specifically trained staff and original spare parts). Do not attempt to modify or repair the appliance alone.



Product not intended for EU countries

The manufacturer declines all liability due to printing or transcription errors, reserving the right to make any modifications to its technical and commercial documents without forewarning.

SAFETY SYMBOLS USED.



GENERIC HAZARD

Strictly follow all of the indications next to the pictogram. Failure to follow the indications can generate hazard situations resulting in possible harm to the health of the operator and user in general.



ELECTRICAL HAZARD

Strictly follow all of the indications next to the pictogram. The symbol indicates the appliance's electrical components or, in this manual, identifies actions that can cause an electrical hazard.



MOVING PARTS

The symbol indicates the appliance's moving components that can cause hazards.



HOT SURFACES

The symbol indicates the appliance's very hot components that can cause burns.



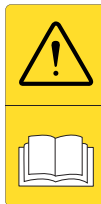
SHARP SURFACES

The symbol indicates the appliance's components or parts that can cause cuts if touched.



EARTH TERMINAL CONNECTION

The symbol identifies the appliance's earth terminal connection point.



READ AND UNDERSTAND THE INSTRUCTIONS

Read and understand the appliance's instructions before performing any operation, carefully following the indications provided.



INFORMATION

Indicates useful tips or additional information.



The user must not dispose of the appliance at the end of its service life as municipal waste, but send it to appropriate collection centres.

PERSONAL PROTECTIVE EQUIPMENT.



SAFETY GLOVES



SAFETY GOGGLES



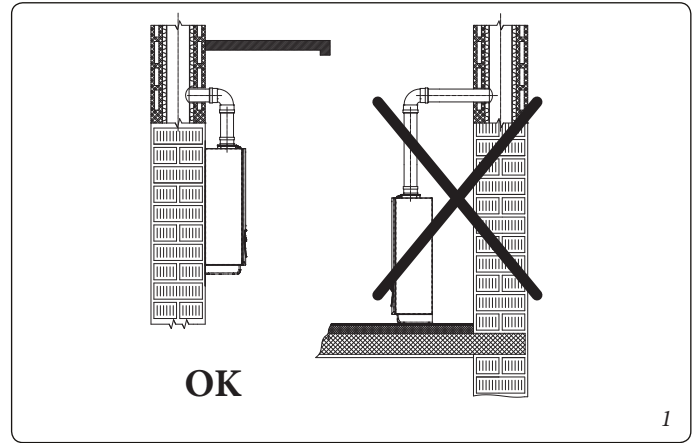
SAFETY FOOTWEAR

1 BOILER INSTALLATION.

1.1 INSTALLATION RECOMMENDATIONS.

ATTENTION:

operators who install and service the appliance must wear the personal protective equipment required by applicable law.



OK

1

This boiler has been designed for wall-mounted installation only; for central heating and production of domestic hot water for domestic use and similar purposes.



The place of installation of the appliance and relative Immergas accessories must have suitable features (technical and structural), such as to allow for (always in safe, efficient and comfortable conditions):

- installation (according to the provisions of technical legislation and technical regulations);
- maintenance operations (including scheduled, periodic, routine and special maintenance);
- removal (outdoors in the place for loading and transporting the appliances and components) as well as their eventual replacement with appliances and/or equivalent components.

The wall surface must be smooth, without any protrusions or recesses enabling access to the rear part. They are not designed to be installed on plinths or floors (Fig. 1).

By varying the type of installation the classification of the boiler also varies, precisely:

- **Type B₂₂ boiler** if installed using the relevant terminal for air intake directly from the room in which the boiler has been installed.
- **Type C boiler:** if installed using concentric pipes or other types of pipes envisioned for the sealed chamber boiler for intake of air and expulsion of flue gas.

Only professionally qualified companies are authorised to install Immergas gas appliances.

Installation must be carried out according to regulation standards, current legislation and in compliance with local technical regulations and the required technical procedures.

ATTENTION:

It is not permitted to install boilers that are removed and decommissioned from other systems. The manufacturer declines all liability for damage caused by boilers removed from other systems or for any non-conformities of such equipment.



ATTENTION:

check the environmental operating conditions of all parts relevant to installation, referring to the values shown in the technical data table in this booklet.



ATTENTION:

Installation of the boiler when powered by LPG must comply with the rules regarding gases with a greater density than air (remember, as an example, that it is prohibited to install plants powered with the above-mentioned gas in rooms where the floor is at a lower quota than the country level).

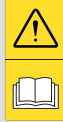


ATTENTION:

if installing a kit or servicing the appliance, always empty the system's domestic hot water circuit first so as not to compromise the appliance's electrical safety (Par. 2.9).



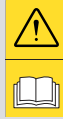
Before installing the appliance, ensure it has been delivered in perfect condition; if in doubt, contact the supplier immediately. Packing materials (staples, nails, plastic bags, polystyrene foam, etc.) constitute a hazard and must be kept out of the reach of children.



If the appliance is installed inside or between cabinets, ensure sufficient space for normal servicing; therefore it is advisable to leave clearance of at least 3 cm between the boiler casing and the vertical sides of the cabinet.

Leave adequate space above the boiler for possible water and flue removal connections (Fig. 3).

It is just as important that the intake grids and exhaust terminals are not obstructed.



It is recommended to check that no flue gas recirculation is found in the air sample points (0.5% maximum permitted CO₂).

Keep all flammable objects away from the appliance (paper, rags, plastic, polystyrene, etc.).

The minimum distance for exhaust pipes from flammable materials must be at least 25 cm.

Do not place household appliances underneath the boiler as they could be damaged if the safety valve intervenes (if not conveyed away by a draining funnel), or if there are leaks from the hydraulic connections; otherwise, the manufacturer cannot be held responsible for any damage caused to the household appliances.

For the aforementioned reasons, we recommend not placing furnishings, furniture, etc. under the boiler.

In the event of malfunctions, faults or incorrect operation, turn the appliance off immediately and contact an authorised company (e.g. the Authorised Technical Assistance centre, which has specifically trained staff and original spare parts). Do not attempt to modify or repair the appliance alone.

Any modification to the appliance that is not explicitly indicated in this section of the booklet is forbidden.

Installation Standards:



- **this boiler must not be installed outdoors, even in a partially protected place. A partially protected area is one in which the boiler is not exposed to the direct action of the weather (rain, snow, hail, etc.).**
- **Installation of gas appliances, flue exhaust pipes and combustion air intake pipes is forbidden in places with a fire risk (for example: garages, closed parking stalls), and in potentially dangerous places.**

- **Installation on the vertical projection of cooking hobs is forbidden.**

- **Installation is also prohibited in places/ environments that constitute common parts of office condominiums such as stairs, cellars, entrance halls, attics, lofts, escape routes, etc. if they are not located inside technical compartments under the responsibility of each individual building and only accessible to the user (for the features of the technical compartments, see the technical standards in force).**



- **These boilers are not suitable for installation on walls made of combustible material.**

N.B.: wall mounting of the boiler must guarantee stable and efficient support for the boiler. The plugs (standard supply) are only to be used to fix the boiler to the wall; they only ensure adequate support if inserted correctly (according to technical standards) in walls made of solid or semi-hollow brick or block.



In the case of walls made of hollow bricks or blocks, partitions with limited static properties, or in any case walls other than those indicated, a static test must be carried out on the mounting system.

The hex head screws supplied in the blister pack are to be used exclusively to fix the relative mounting bracket to the wall



These boilers are used to heat water to below boiling temperature in atmospheric pressure.

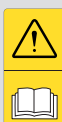
They must be connected to a central heating system and domestic hot water circuit suited to their performance and capacity.



They cannot be connected directly to low-temperature systems.


Risk of damage due to corrosion caused by unsuitable combustion air and environment.

Spray, solvents, chlorine-based detergents, paints, glue, ammonium compounds, powders and similar cause product and flue duct corrosion.



- Check that combustion air power supply is free from chlorine, sulphur, powders, etc.
- Make sure that no chemical substances are stored in the place of installation.
- If you want to install the product in beauty salons, paint workshops, carpenter's shop, cleaning companies or similar, choose a separate installation area that ensures combustion air supply that is free from chemical substances.
- Make sure the combustion air is not fed from chimneys that were used with gas boilers or other heating devices. In fact, these may cause an accumulation of soot in the chimney.

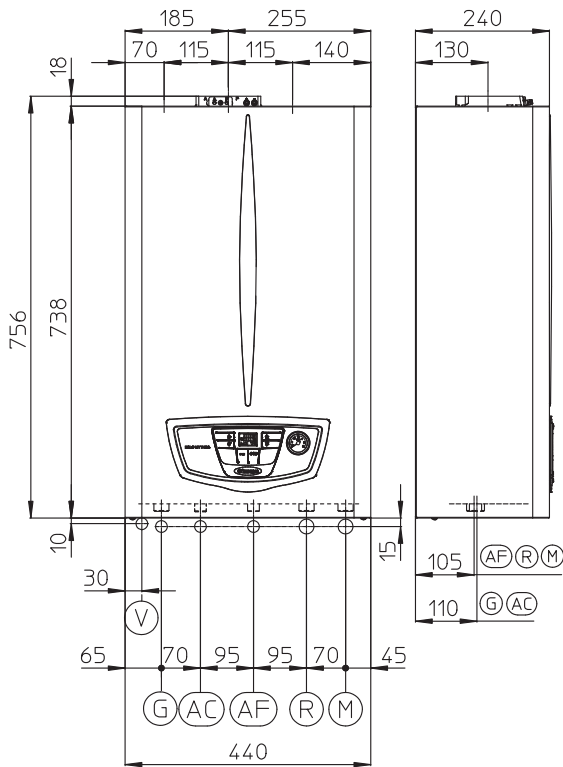
ATTENTION:

- Type B open chamber boilers must not be installed in places where commercial, artisan or industrial activities take place, which use products that may develop volatile vapours or substances (e.g. acid vapours, glues, paints, solvents, combustibles, etc.), as well as dusts (e.g. dust deriving from the working of wood, coal fines, cement, etc.), which may be harmful for the components of the appliance and jeopardise operation. 
- in B²², B^{22p} and B³² configuration, unless otherwise provided for by local regulations in force: the boilers must not be installed in bedrooms, bathrooms or bedsits. They must neither be installed in rooms containing solid fuel heat generators nor in rooms communicating with said rooms.
- The installation rooms must be permanently ventilated, in compliance with the local regulations in force (at least 6 cm² for every kW of installed heat input, except in the event of any increases needed for electro-mechanical vacuum cleaners or other devices that could put the installation room under vacuum).
- The installation of appliances in B²², B^{22p} and B³² configuration is only recommended in places that are not lived in and which are permanently ventilated.

ATTENTION:

Failure to comply with the above implies personal responsibility and invalidates the warranty. 

1.2 MAIN DIMENSIONS.



Key:

- G - Gas supply
- AC - Domestic hot water outlet
- AF - Domestic cold water inlet
- R - System return
- M - System flow
- V - Electrical connection

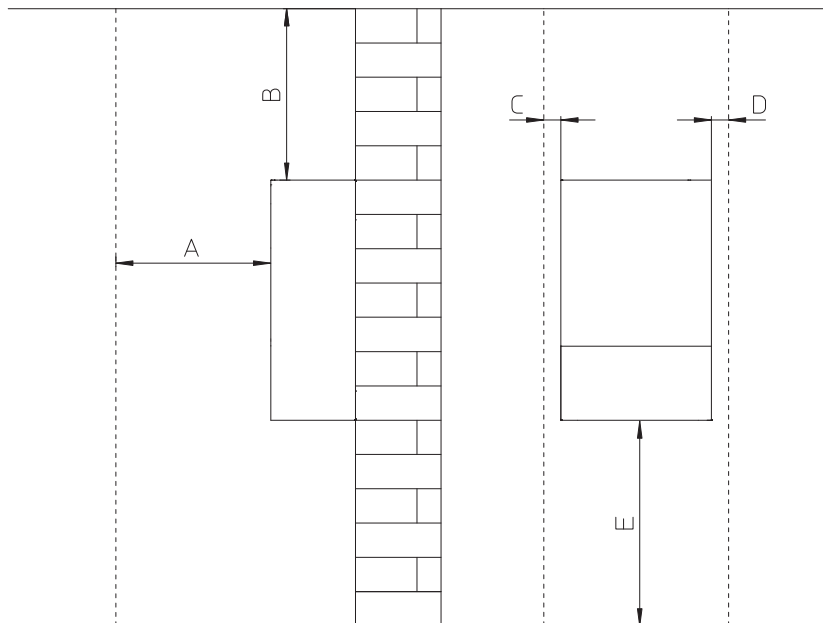
Note: connection group (optional)

Height (mm)	Width (mm)	Depth (mm)
756	440	240
CONNECTIONS		
GAS	DOMESTIC HOT WATER	SYSTEM
G	AC (*)	AF
3/4"	1/2"	1/2"
		R
		M
		3/4"
		3/4"

(*) Please note: connection to the boiler - only with ring nut with sealing gasket.

2

1.3 MINIMUM INSTALLATION DISTANCES.



Key:

- A - 450 mm
- B - 350 mm
- C - 30 mm
- D - 30 mm
- E - 350 mm

3

INSTALLER

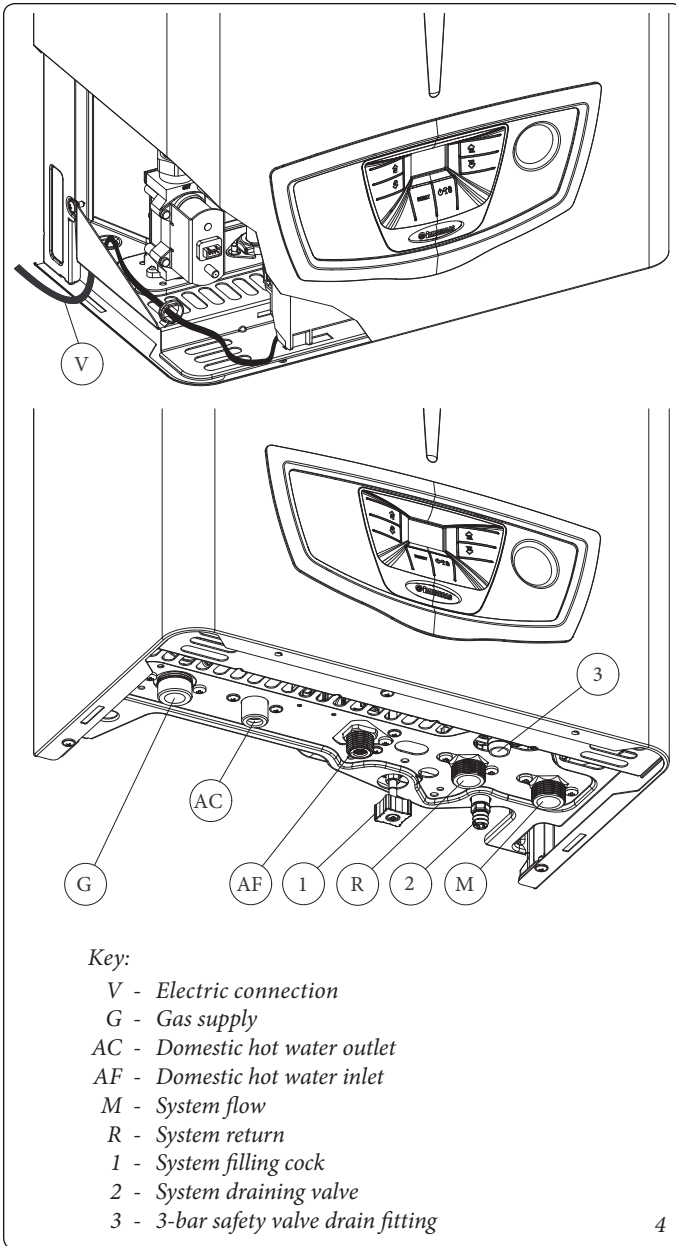
USER

MAINTENANCE TECHNICIAN

TECHNICAL DATA

1.4 BOILER CONNECTION GROUP (OPTIONAL).

The connection unit consisting of all the necessary parts to perform the hydraulic and gas system connections of the appliance comes as optional kit, perform the connections based on the type of installation to be made and according to the layout shown in Fig 4.



4

1.5 GAS CONNECTION.

Our boilers are designed to operate with methane gas (G20) or LPG. Supply pipes must be the same as or larger than the 3/4" G boiler fitting.

ATTENTION:


Before connecting the gas line, carefully clean inside all the fuel feed system pipes to remove any residue that could impair boiler efficiency. Also make sure the gas corresponds to that for which the boiler is prepared (see boiler data nameplate). If different, the boiler must be converted for operation with the other type of gas (see converting appliance for other gas types). The dynamic gas supply (methane or LPG) pressure must also be checked according to the type used in the boiler, which must be in compliance, as insufficient levels can reduce generator output and cause malfunctions. Ensure correct gas cock connection.

According to local regulations in force, make sure that a gas cock is installed upstream of each connection between the appliance and the gas system. This cock, if supplied by the appliance's manufacturer, can be directly connected to the appliance (i.e. downstream from the pipes connecting the system to the appliance), according to the manufacturer's instructions.

The Immergas connection unit, supplied as an optional kit, also includes the gas cock, whose installation instructions are provided in the kit.

In any case, make sure the gas cock is connected properly.



The gas supply pipe must be suitably dimensioned according to current regulations in order to guarantee correct gas flow rate to the burner even in conditions of maximum generator output and to guarantee appliance efficiency (technical specifications). The coupling system must conform to standards in force (EN 1775).

ATTENTION:  **the appliance was designed to operate with combustible gas free of impurities; otherwise it is advisable to fit special filters upstream of the appliance to restore the purity of the fuel.**

Storage tanks (in case of supply from LPG depot).


- New LPG storage tanks may contain residual inert gases (nitrogen) that degrade the mixture delivered to the appliance causing functioning anomalies.
- Due to the composition of the LPG mixture, layering of the mixture components may occur during the period of storage in the tanks. This can cause a variation in the calorific value of the mixture delivered to the appliance, with subsequent change in its performance.

1.6 HYDRAULIC CONNECTION.


In order not to void the heat primary exchanger warranty, before making the boiler connections, carefully clean the heating system (pipes, radiators, etc.) with special pickling or de-scaling products to remove any deposits that could compromise correct boiler operation.  

A treatment of the heating and water system water is required, in compliance with the technical standards in force, in order to protect the system and the appliance from deposits (e.g. scale), slurry or other hazardous deposits. In order not to void the heat exchanger warranty, you are required to comply with what has been prescribed in Paragraph 1.21.

Hydraulic connections must be made in a rational way using the couplings on the boiler template.

ATTENTION:  **the manufacturer declines all liability in the event of damage caused by the installation of an automatic filling system.**

In order to meet the system requirements established by EN 1717 in terms of pollution of drinking water, we recommend installing the IMMERGAS anti-backflow kit to be used upstream of the cold water inlet connection of the boiler. We also recommend using a category 2 heat transfer fluid (ex: water + glycol) in the boiler's primary circuit (C.H. circuit), as defined in standard EN 1717.

To preserve the duration of appliance efficiency features, in the presence of water whose features can lead to the deposit of lime scale, installation of the "polyphosphate dispenser" kit is recommended. 

3 bar safety valve.

Safety valve discharge must always be conveyed through a draining funnel. Otherwise, the manufacturer declines any responsibility in case of flooding if the drain valve cuts in.

1.7 ELECTRICAL CONNECTION.

The appliance has an IPX5D protection degree; electrical safety of the appliance is achieved only when it is connected properly to an efficient earthing system, as specified by current safety standards.

ATTENTION:

the manufacturer declines any responsibility for damage or physical injury caused by failure to connect the boiler to an efficient earth system or failure to comply with the reference standards.

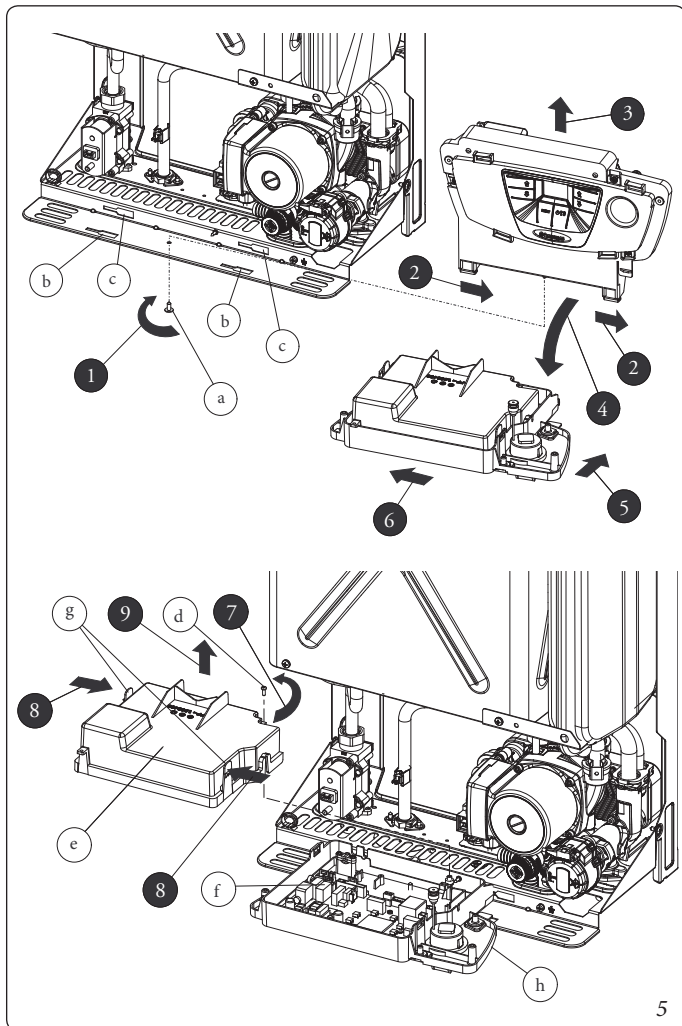


Open the control panel connections compartment (Fig. 5)

To carry out electrical connections, all you have to do is open the connections compartment as follows.

Remove the casing:

1. Loosen the screw (a) at the bottom.
2. Move the control panel to the right by making it slide on the slots (b);
3. Remove the control panel from the frame;
4. Place the control panel horizontally;
5. Insert the control panel feet into the special slots on the frame (c);
6. Move the control panel to the left in order to fit it into the frame;
7. Remove the screw (d) securing the control panel cover (e);
8. Press the two hooks (g) on the cover (e);



9. Remove the cover (e) from the control panel (h);
At this point, it is possible to access the terminal board (f).

Also ensure that the electrical installation corresponds to maximum absorbed power specifications as shown on the boiler data nameplate.

Boilers are supplied complete with an “X” type power cable without plug.

ATTENTION:

The power supply cable must be connected to a 230V~ ±10% / 50Hz mains supply respecting L-N polarity and earth connection; this network must also have a multi-pole circuit breaker with class III overvoltage category in compliance with installation regulations.



ATTENTION:

No appliance pipes must ever be used to earth the electric system or telephone lines.



ATTENTION:

To protect from possible dispersions of DC voltage, it is necessary to provide a type A differential safety device.



ATTENTION:

If the power cable is damaged, contact a qualified company (e.g. the Authorised Technical Assistance Centre) for its replacement to avoid a hazard.



The power cable must follow the prescribed route (Parag. 1.5);
If the network fuse on the P.C.B. needs replacing, this must also be done by qualified personnel: use a 5x20 250V 3.15 A fast fuse.
For the main power supply to the appliance, never use adapters, multiple sockets or extension leads.

1.8 REMOTE CONTROLS AND ROOM CHRONO-THERMOSTATS (OPTIONAL).

The boiler is prepared for the application of room chrono-thermostats or remote controls, which are available as optional kits.

Carefully read the user and assembly instructions contained in the accessory kit.

ATTENTION:

disconnect power to the appliance before any electrical connection.



• On/Off Immergas digital chrono-thermostat.

The chrono-thermostat allows:

- set two room temperature value: one for day (comfort temperature) and one for night (lower temperature);
- set a weekly programme with four daily switch on and switch off times;
- selecting the required function mode from the various possible alternatives:
- manual mode (with adjustable temperature).
- automatic mode (with set programme).
- forced automatic mode (momentarily changing the temperature of the automatic programme).

The chrono-thermostat is powered by two 1.5V LR 6 type alkaline batteries.

• Comando Amico Remoto remote control^{V2} (CAR^{V2}).

In addition to the functions described in the previous point, the control panel enables the user to control all the important information regarding operation of the appliance and the heating system with the opportunity to easily intervene on the previously set parameters, without having to go to where the appliance is installed. The panel is provided with self-diagnosis to display any boiler functioning anomalies. The climate chrono-thermostat incorporated into the remote panel enables the system flow temperature to be adjusted to the actual needs of the room being heated, in order to obtain the desired room temperature with extreme precision and therefore with evident saving in running costs. The CAR^{V2} is fed directly by the boiler by means of the same 2 wires used for the transmission of data between the boiler and device.

CAR^{V2} or chrono-thermostat On/Off electric connection (Optional). *The operations described below must be performed after having removed the voltage from the appliance.* Any On/Off room chrono-thermostat must be connected to clamps 40 and 41 eliminating jumper X40 (Fig. 33). Make sure that the On/Off thermostat contact is of the “clean” type, i.e. independent of the mains voltage, otherwise the P.C.B. would be damaged. Any CAR^{V2} must be connected to clamps 40 and 41 eliminating jumper X40 on the circuit board, paying attention not to invert the polarity in the connections (Fig. 33). Connection with the wrong polarity prevents functioning, but without damaging the CAR^{V2}. The boiler can only be connected to one remote control.

if the CAR^{V2} remote control is used, arrange two separate lines in compliance with current regulations regarding electrical systems. Ensure elimination of this risk before making the boiler electrical connections.



1.9 IMMERGAS FLUE SYSTEMS.

The manufacturer suggests the use of your own flue installation by supplying various solutions separately from the boilers regarding the installation of air intake terminals and flue exhaust, which are fundamental for boiler operation.

ATTENTION:

the boiler must be installed exclusively with an original Immergas “Blue Range” inspectionable air intake system and flue gas extraction system made of plastic, with the exception of the C6 configuration, as required by the regulations in force and by the product’s approval.



This flue can be identified by an identification mark and special distinctive marking bearing the note "only for condensation boilers".

The flue exhaust pipes must not be in contact with or be near to flammable materials. Moreover, they must not pass through buildings or walls made of flammable material.

• Resistance factors and equivalent lengths.

Each flue component has a *Resistance Factor* based on experimental tests and specified in the table below. The Resistance Factor for individual components is independent from the type of boiler on which it is installed and has a dimensionless size. It is however, conditioned by the temperature of the fluids that pass through the pipe and therefore, varies according to applications for air intake or flue exhaust. Each single component has a resistance corresponding to a certain length in metres of pipe of the same diameter; the so-called *equivalent length*, can be obtained from the ratio between the relative Resistance Factors. *All boilers have an experimentally obtainable maximum Resistance Factor equal to 100.* The maximum Resistance Factor allowed corresponds to the resistance encountered with the maximum allowed pipe length for each type of Terminal Kit. This information allows calculations to be made to verify the possibility of setting up various flue configurations.

Note: to dimension the flue ducting using commercial components, refer to the table of combustion parameters (Paragraph 4.2).

• **Positioning of double lip seals.** For correct positioning of lip seals on elbows and extensions, follow the assembly direction shown in the figure (Fig. 6).

• Coupling extension pipes and concentric elbows. To install push-fitting extensions with other elements of the flue, proceed as follows: Install the concentric pipe or elbow with the male side (smooth) on the female side (with lip seal) to the end stop on the previously installed element in order to ensure sealing efficiency of the coupling.

Attention: if the exhaust terminal and/or concentric extension pipe needs shortening, consider that the internal duct must always protrude by 5 mm with respect to the external duct.

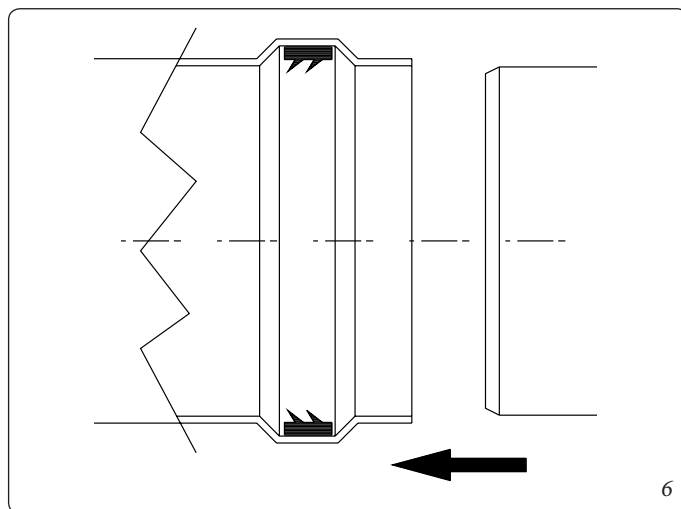
• **Note:** for safety purposes, do not obstruct the boiler intake/exhaust terminal, even temporarily.

• **Note:** during the installation of the horizontal pipes one must maintain a minimum inclination of the pipes of 3% towards the boiler and a section clamp with gusset must be installed every 3 metres for non-insulated pipes and one every 2 metres for insulated pipes.

Diaphragm installation. For proper boiler operation a diaphragm must be installed on the outlet of the sealed chamber and before the intake and exhaust pipe (Fig. 7).

The appropriate diaphragm is chosen based on type of pipe and its maximum extension: this calculation can be made using the tables below:

Note: the diaphragms are supplied together with the boiler.



ATTENTION:

only for installations with divided terminals 80/80 it is necessary to remove the plug located under the sealed chamber, as shown in the Fig. 8).



Diaphragm	Pipe extensions in metres Ø 60/100 horizontal
Ø 87 (ref. 2 fig. 7)	From 0.35 to 1.5
Ø 85 (ref. 1 fig. 7)	From 1.5 to 3.0

Diaphragm	Pipe extension in metres Ø 60/100 vertical
Ø 87 (ref. 2 fig. 7)	From 0.35 to 3.5
Ø 85 (ref. 1 fig. 7)	From 3.5 to 4.5

Diaphragm	Pipe extensions in metres Ø 80/125 horizontal
Ø 87 (ref. 2 fig. 7)	From 0.35 to 4.5
Ø 85 (ref. 1 fig. 7)	From 4.6 to 7.5

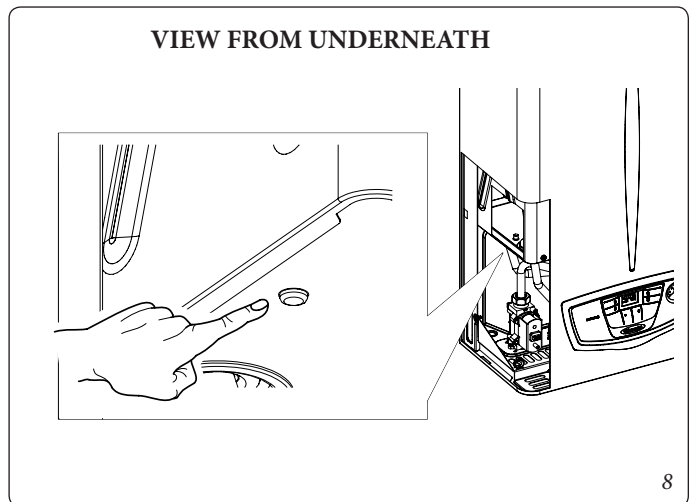
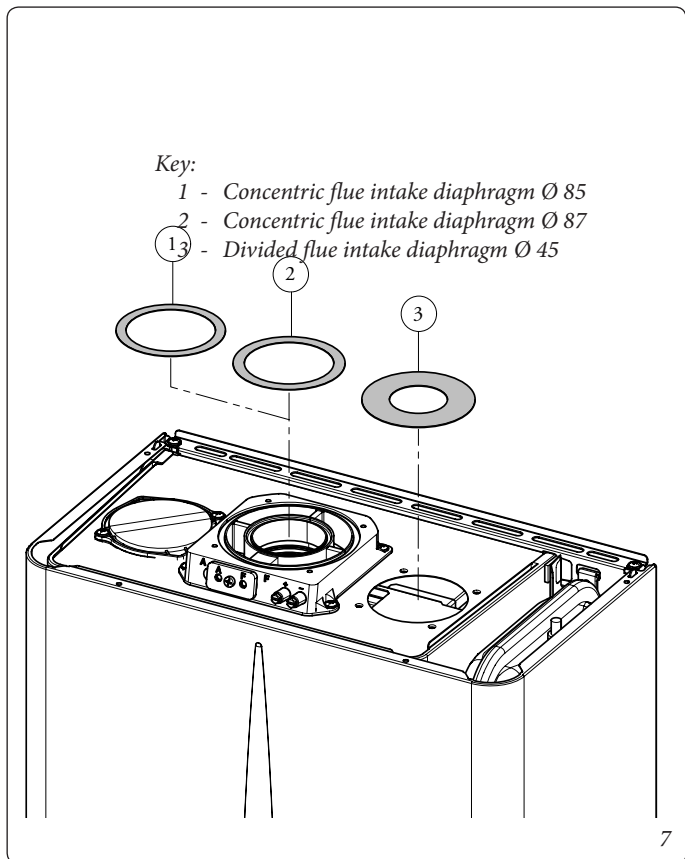
Diaphragm	Pipe extension in metres Ø 80/125 vertical
Ø 87 (ref. 2 fig. 7)	From 0.35 to 9.5
Ø 85 (ref. 1 fig. 7)	From 9.5 to 12

Diaphragm	(*) Pipe extension in metres Ø 80 divided
Ø 45 (ref. 3 fig. 7)	Da 0,5 a 35

Diaphragm	(**) Pipe extension in metres Ø 80 divided
Ø 45 (rif. 3 fig. 7)	Da 0,5 a 27

(*) These maximum extension values are considered intake with 1 metre of exhaust pipe.

(**) These maximum extension values are considered exhaust with 1 metre of intake pipe.



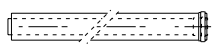
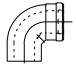

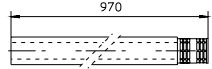
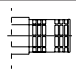
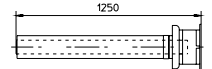
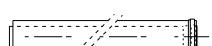
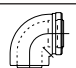
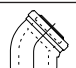
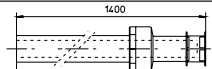

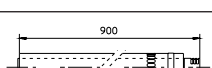

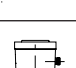
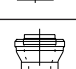
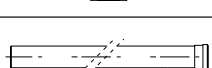
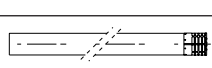
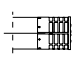
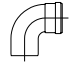


INSTALLER

USER

MAINTENANCE TECHNICIAN

TECHNICAL DATA

1.10 TABLES OF RESISTANCE FACTORS AND EQUIVALENT LENGTHS.

TYPE OF DUCT		Resistance Factor (R)	Equivalent length in m of concentric pipe Ø 60/100	Equivalent length in m of concentric pipe Ø 80/125	Equivalent length in m of pipe Ø 80
Concentric pipe Ø 60/100 m 1		Intake and Exhaust 16.5	m 1	m 2.8	Intake m 7.1
					Exhaust m 5.5
Concentric bend 90° Ø 60/100		Intake and Exhaust 21	m 1.3	m 3.5	Intake m 9.1
					Exhaust m 7.0
Concentric bend 45° Ø 60/100		Intake and Exhaust 16.5	m 1	m 2.8	Intake m 7.1
					Exhaust m 5.5
Terminal complete with intake-exhaust horizontal concentric Ø 60/100		Intake and Exhaust 46	m 2.8	m 7.6	Intake m 20
					Exhaust m 15
Intake-exhaust terminal horizontal concentric Ø 60/100		Intake and Exhaust 32	m 1.9	m 5.3	Intake m 14
					Exhaust m 10.6
Intake-exhaust terminal vertical concentric Ø 60/100		Intake and Exhaust 41.7	m 2.5	m 7	Intake m 18
					Exhaust 14
Concentric pipe 80/125 Ø m 1		Intake and Exhaust 6	m 0.4	1.0 m	Intake m 2.6
					Exhaust m 2.0
Concentric bend 90° 80/125 Ø		Intake and Exhaust 7.5	m 0.5	m 1.3	Intake m 3.3
					Exhaust m 2.5
Concentric bend 45° Ø 80/125		Intake and Exhaust 6	m 0.4	1.0 m	Intake m 2.6
					Exhaust m 2.0
Terminal complete with intake-exhaust vertical concentric Ø 80/125		Intake and Exhaust 33	m 2.0	m 5.5	Intake m 14.3
					Exhaust m 11.0
Intake-exhaust terminal vertical concentric Ø 80/125		Intake and Exhaust 26.5	m 1.6	m 4.4	Intake m 11.5
					Exhaust m 8.8
Terminal complete with intake-exhaust horizontal concentric Ø 80/125		Intake and Exhaust 39	m 2.3	m 6.5	Intake m 16.9
					Exhaust m 13
Intake-exhaust terminal horizontal concentric Ø 80/125		Intake and Exhaust 34	m 2.0	m 5.6	Intake m 14.8
					Exhaust m 11.3
Concentric adapter from Ø 60/100 to Ø 80/125 with condensate trap		Intake and Exhaust 13	m 0.8	m 2.2	Intake m 5.6
					Exhaust m 4.3
Concentric adapter from Ø 60/100 to Ø 80/125		Intake and Exhaust 2	m 0.1	m 0.3	Intake m 0.8
					Exhaust m 0.6
Pipe Ø 80 m 1 (with and without insulation)		Intake 2.3	m 0.1	m 0.4	Intake m 1.0
					Exhaust 3
Complete intake terminal Ø 80 m 1 (with or without insulation)		Intake 5	m 0.3	m 0.8	Intake m 2.2
Complete intake terminal Ø 80 m 1 (with or without insulation)		Intake 3	m 0.2	m 0.5	Intake m 1.3
					Exhaust 2.5
Bend 90° Ø 80		Intake 5	m 0.3	m 0.8	Intake m 2.2
					Exhaust 6.5
Bend 45° Ø 80		Intake 3	m 0.2	m 0.5	Intake m 1.3
					Exhaust 4
Divided parallel Ø 80 from Ø 60/100 to Ø 80/80		Intake and Exhaust 8.8	m 0.5	m 1.5	Intake m 3.8
					Exhaust m 2.9

INSTALLER

USER

MAINTENANCE TECHNICIAN

TECHNICAL DATA

1.11 CONCENTRIC HORIZONTAL KIT INSTALLATION. Type C configuration, sealed chamber and fan assisted.

The position of the terminal (in terms of distances from openings, overlooking buildings, floor, etc.) must be in compliance with the regulations in force.

This terminal is connected directly to the outside of the building for air intake and flue gas exhaust. The horizontal kit can be installed with the rear, right side, left side or front outlet. For installation with frontal outlet, one must use the fixing plate and a concentric bend coupling in order to ensure sufficient space to carry out the tests required by law upon commissioning.

- External grid. Both the Ø 60/100 and Ø 80/125 intake/exhaust terminal, if properly installed, is pleasant to look at on the outside of the building. Make sure that the external silicone wall sealing plate is properly inserted in the wall.

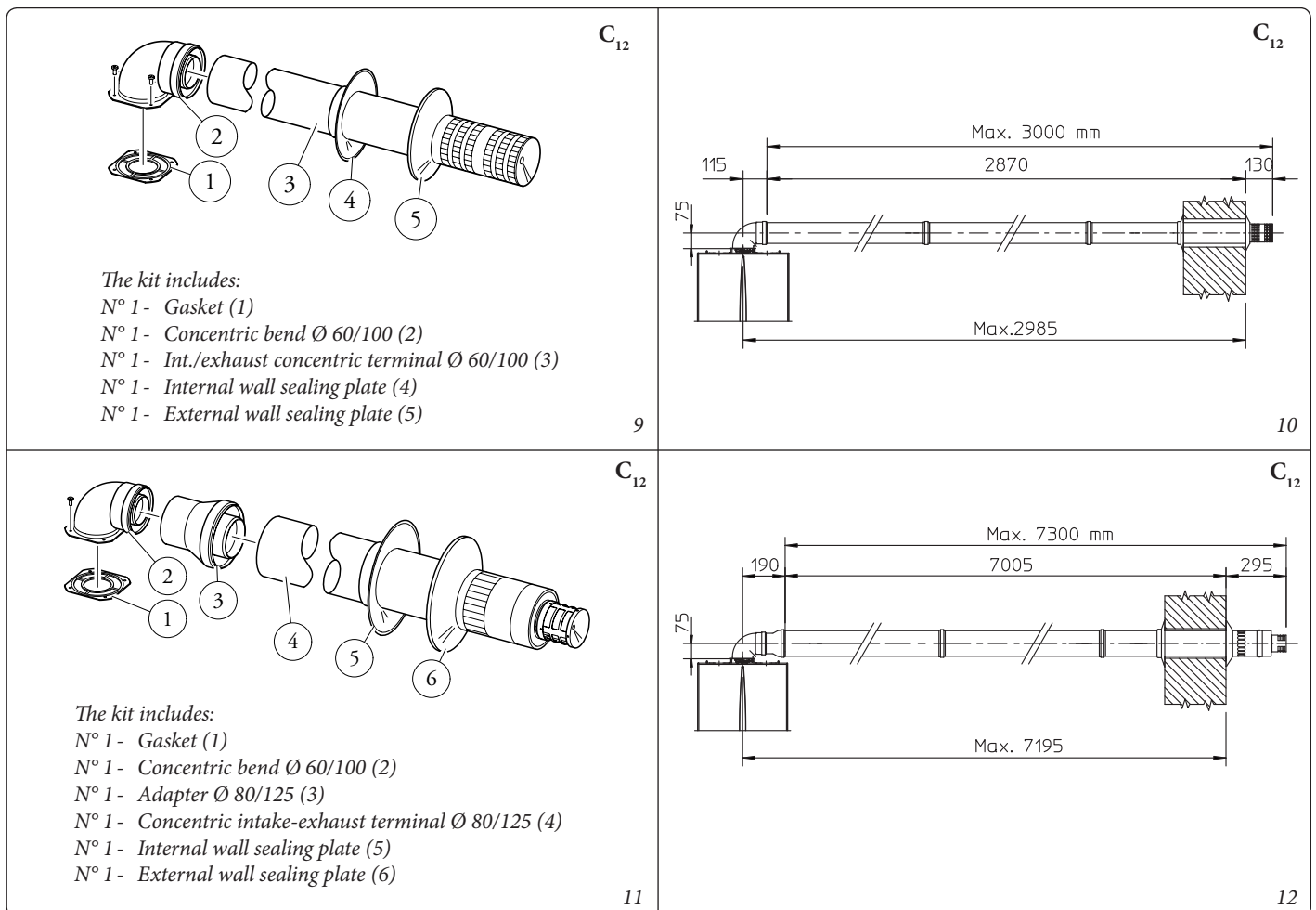
Horizontal intake - exhaust kit Ø 60/100. Kit assembly (Fig. 9): install the bend with flange (2) onto the central hole of the boiler inserting the gasket (1) and tighten using the screws included in the kit. Couple the concentric terminal pipe Ø 60/100 (3) with the male end (smooth) into the female end (with lip seals) of the bend (2) up to the stop, making sure that the internal and external wall sealing plate have been fitted, this will ensure sealing and joining of the kit elements.

- Extensions for Ø 60/100 horizontal kit (Fig. 10). The kit with this configuration can be extended up to a *max. horizontal length of 3 m* including the terminal with grid and excluding the concentric bend leaving the boiler. This configuration corresponds to a resistance factor of 100. In this case the special extensions must be requested.

Note: when the boiler is installed in areas where very cold temperatures can be reached, a special anti-freeze kit is available that can be installed as an alternative to the standard kit.

Horizontal intake - exhaust kits Ø 80/125. Kit assembly (Fig. 11): install the bend with flange (2) onto the central hole of the boiler inserting the gasket (1) and tighten using the screws included in the kit. Fit the male end (smooth) of the adapter (3) up to the end stop on the female side of the bend (2) (with lip seal). Fit the Ø 80/125 (4) concentric terminal pipe with the male end (smooth) to the female end of the adapter (3) (with lip gasket) up to the end stop; making sure that the internal and external wall sealing plates have been fitted; this will ensure sealing and joining of the elements making up the kit.

- Extensions for Ø 80/125 horizontal kit (Fig. 12). The kit with this configuration can be extended up to a *maximum length of 7.3 m*, including the terminal with grid and excluding the concentric bend leaving the boiler and the adapter Ø 60/100 in Ø 80/125. This configuration corresponds to a resistance factor of 100. In this case the special extensions must be requested.



1.12 CONCENTRIC VERTICAL KIT INSTALLATION.
Type C configuration, sealed chamber and fan assisted.

Concentric vertical intake and exhaust kit. This vertical terminal is connected directly to the outside of the building for air intake and flue gas exhaust.

NOTE: the vertical kit with aluminium tile enables installation on terraces and roofs with a maximum slope of 45% (approx. 25°) and the height between the terminal cap and half-shell (374 mm) must always be observed.

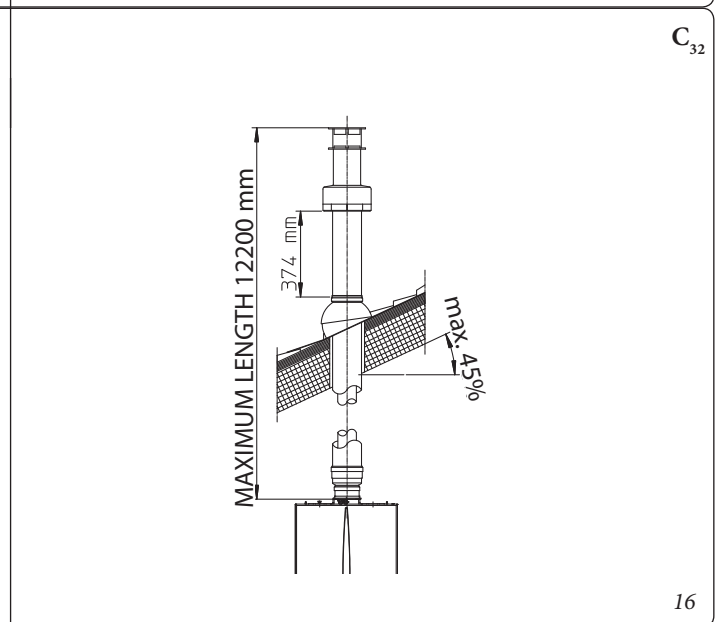
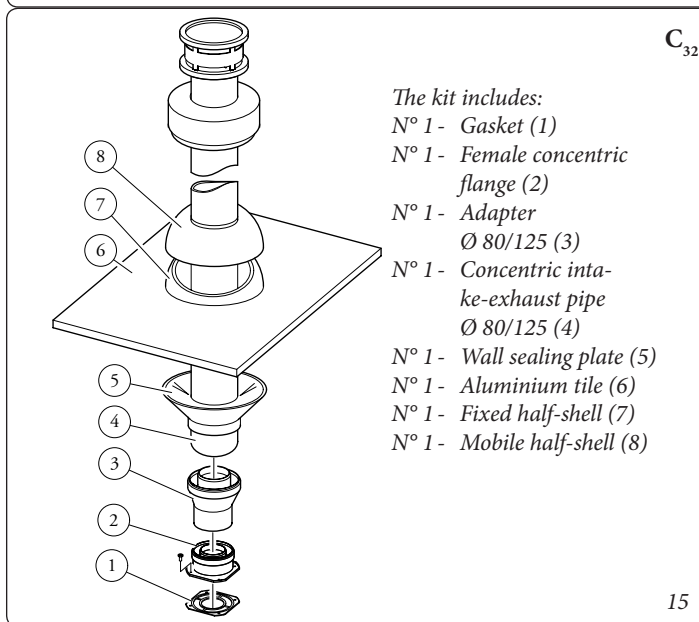
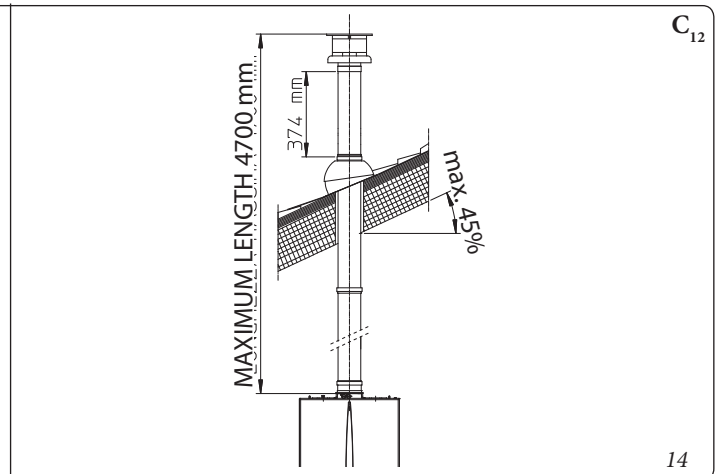
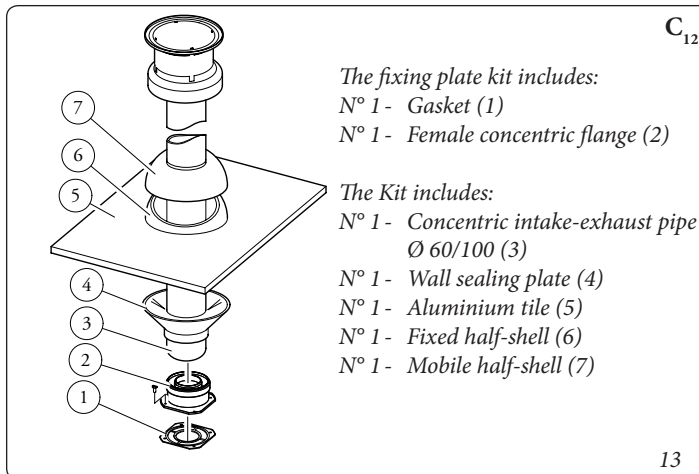
Vertical kit with aluminium tile Ø 60/100. To use this kit one must use the fixing plate kit 60/100 (sold separately).

Kit assembly (Fig. 13): install the concentric flange (2) on the central hole of the boiler inserting the gasket (1) and tighten using the screws in the kit. Fit the male end (smooth) of the adapter (3) into the female end of the concentric flange (2). Imitation aluminium tile installation. Replace the tile with the aluminium sheet (5), shaping it to ensure that rainwater runs off. Position the fixed half-shell (7) and insert the intake-exhaust pipe (6). Fit the Ø 80/125 concentric terminal pipe with the male end (6) (smooth) to the female end of the adapter (3) (with lip gasket) up to the end stop; making sure that the wall sealing plate (4) has been fitted, this will ensure sealing and joining of the elements making up the kit.

- Extensions for vertical kit Ø 60/100 (Fig. 14). The kit with this configuration can be extended to a *max. straight vertical length of 4.7 m*, including the terminal. This configuration corresponds to a resistance factor of 100. In this case specific extensions must be requested.

Vertical kit with aluminium tile Ø 80/125. Kit assembly (Fig. 15): to install the kit Ø 80/125 one must use the flanged adapter kit in order to install the flue system Ø 80/125. Install the flanged adaptor (2) on the central hole of the boiler, positioning gasket (1) with the circular projections downwards in contact with the boiler flange, and tighten using the screws contained in the kit. Installation of the fake aluminium tile: replace the tiles with the aluminium sheet (4), shaping it to ensure that rainwater runs off. Position the fixed half-shell (5) on the aluminium tile and insert the intake-exhaust pipe (7). Fit the Ø 80/125 concentric terminal pipe with the male side (smooth) to the female side of the adapter (1) (with lip gaskets) up to the end stop; making sure that the wall sealing plate (3) has been fitted, this will ensure sealing and joining of the elements making up the kit.

- Extensions for vertical kit Ø 80/125 (Fig. 16). The kit with this configuration can be extended up to a *max. length of 12.2 m* including the terminal. If additional components are assembled, the length equivalent to the maximum allowed must be subtracted. In this case specific extensions must be requested.



1.13 SEPARATOR KIT INSTALLATION.

Type C configuration, sealed chamber and fan assisted.

This kit allows air to come in from outside the building and the exhaust to exit from the chimney, flue or intubated duct through divided flue exhaust and air intake pipes. Combustion products are expelled from pipe (S). Air is taken in through pipe (A) for combustion. Both ducts can be routed in any direction.

Please note the type of installation C_4 must be done with a natural draught flue. Moreover, with C_5 configuration, intake and exhaust pipes cannot be installed on opposing walls.

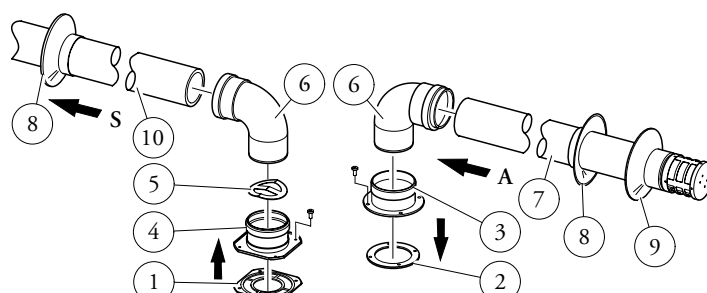
Separator kit Ø 80/80 assembly (Fig. 17): install the flange (4) on the central hole of the boiler inserting the gasket (1) and tighten using the hex head and flat tip screws contained in the kit, insert the anti-pulse plate up to the stop (5). Remove the flat flange present in the lateral hole with respect to the central one (according to needs) and replace it with the flange (3), positioning the gasket (2) already present in the boiler and tighten using the supplied self-threading screws. Fit the male end (smooth) to the bends (6) in the female end of the flanges (3 and 4). Fit the intake terminal (7) with the male section (smooth) in the female section of the bend (6) up to the stop, ensuring that the internal and external wall sealing plates are fitted. Fit the exhaust pipe (10) with the male end (smooth) in the female end of the bend (6) up to the stop, making sure that the internal wall sealing plate has been fitted, this will ensure sealing and joining of the kit elements.

• **Installation clearances (Fig. 18).** The minimum installation clearance measurements of the Ø 80/80 separator terminal kit have been stated in some limit conditions.

• The figure (Fig. 19) shows the configuration with vertical exhaust and horizontal intake.

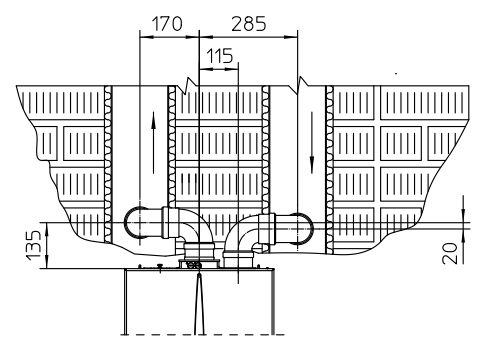
• **Extensions for separator kit Ø 80/80.** The max. vertical straight length (without bends) usable for Ø 80 intake and exhaust pipes is 41 metres of which 40 intake and 1 exhaust. This total length corresponds to a resistance factor of 100. The total usable length obtained by summing the Ø 80 intake and exhaust pipe lengths can reach, as a maximum, the values provided in the following table. If *mixed accessories or components are used*, the maximum extension can be calculated by using a resistance factor for each component or its *equivalent length*. The sum of these resistance factors must not exceed 100.

• **Temperature loss in flue pipes (Fig. 20).** To prevent problems of flue gas condensate in the exhaust pipe Ø 80, due to fume cooling through the wall, *the length of the exhaust pipe must be limited to just 5 m*. If longer distances must be covered, use Ø 80 pipes with insulation (see insulated separator kit Ø 80/80 chapter).

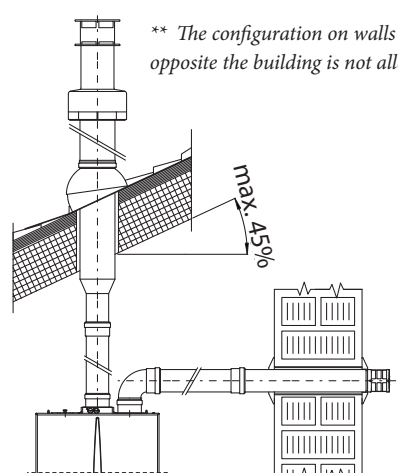


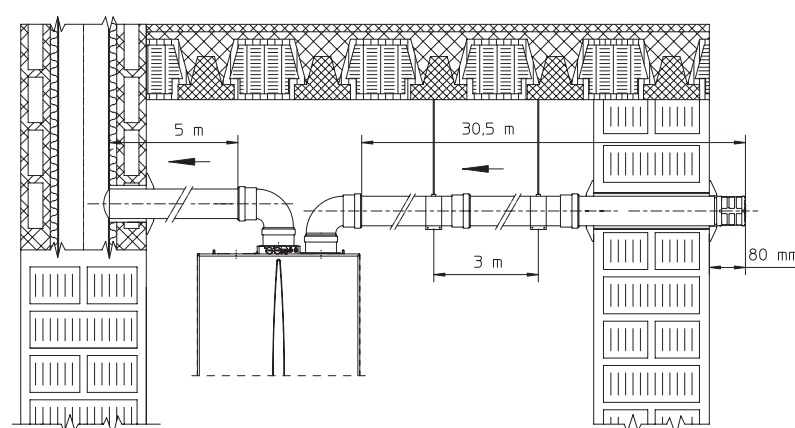
The kit includes:
 N°1 - Exhaust gasket (1)
 N°1 - Flange gasket (2)
 N°1 - Female intake flange (3)
 N°1 - Female exhaust flange (4)
 N°1 - Anti-pulse plate (5)
 N°2 - 90° bends Ø 80 (6)
 N°1 - Intake terminal Ø 80 (7)
 N°2 - Internal wall sealing plates (8)
 N°1 - External wall sealing plate (9)
 N°1 - Exhaust pipe Ø 80 (10)

* Configuration C_3 envisages connection to flues working with natural draught.



** The configuration on walls opposite the building is not allowed.






INSTALLER

USER

MAINTENANCE TECHNICIAN

TECHNICAL DATA

Maximum usable lengths (including intake terminal with grill and two 90° bends)			
NON-INSULATED PIPE		INSULATED PIPE	
Drain (metres)	Intake (metres)	Drain (metres)	Intake (metres)
1	36.0*	6	29.5*
2	34.5*	7	28.0*
3	33.0*	8	26.5*
4	32.0*	9	25.5*
5	30.5*	10	24.0*
* The air intake pipe can be increased to 2.5 metres if the exhaust bend is eliminated, 2 metres if the air intake bend is eliminated, 4.5 metres eliminating both bends.		11	22.5*
		12	21.5*

ATTENTION:  the boiler is designed to evacuate the combustion products up to a maximum extension of 27 linear metres from the exhaust, with 1 m plus 90° bend at the intake. If the installation requests a development of the flue to the discharge that exceeds the recommended 12 m, due consideration must be given to the formation of condensate that could take place inside the pipe and Immergas insulated “Blue Series” flue kits must be used. It’s not allowed that condensation flow towards the appliance from exhaust ducts.

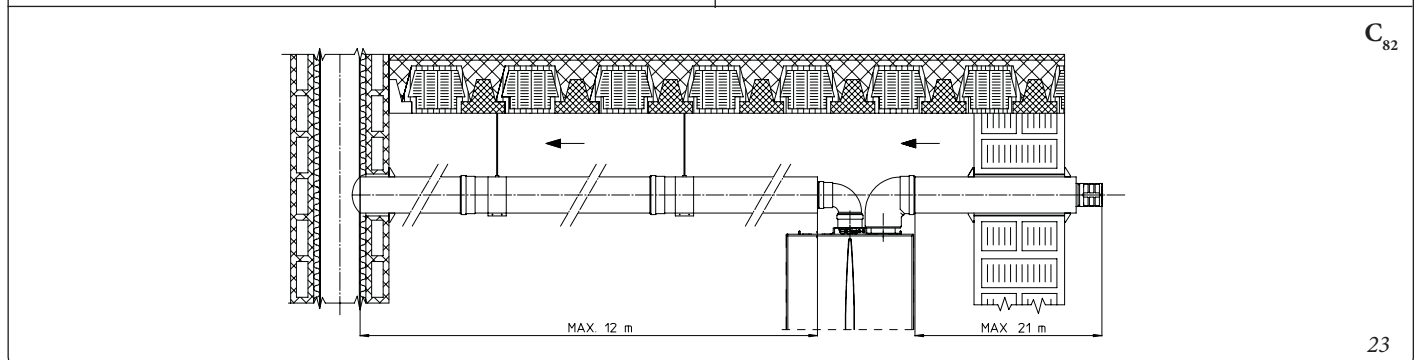
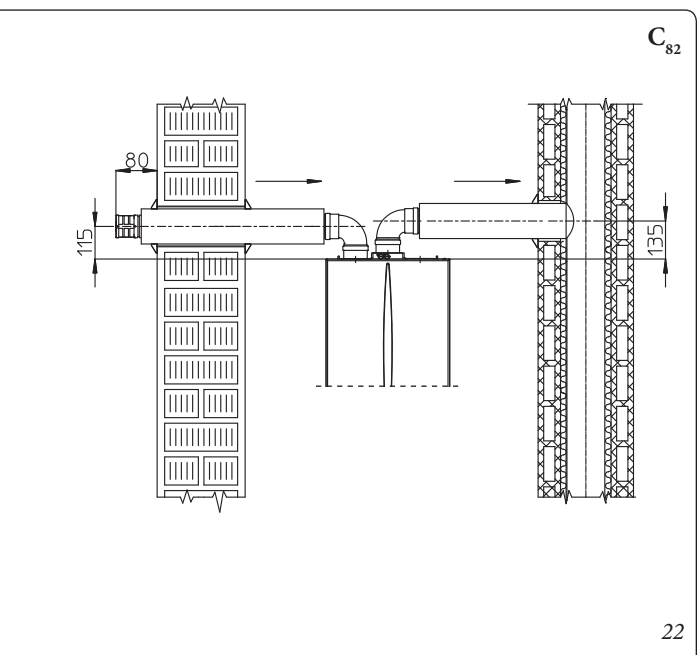
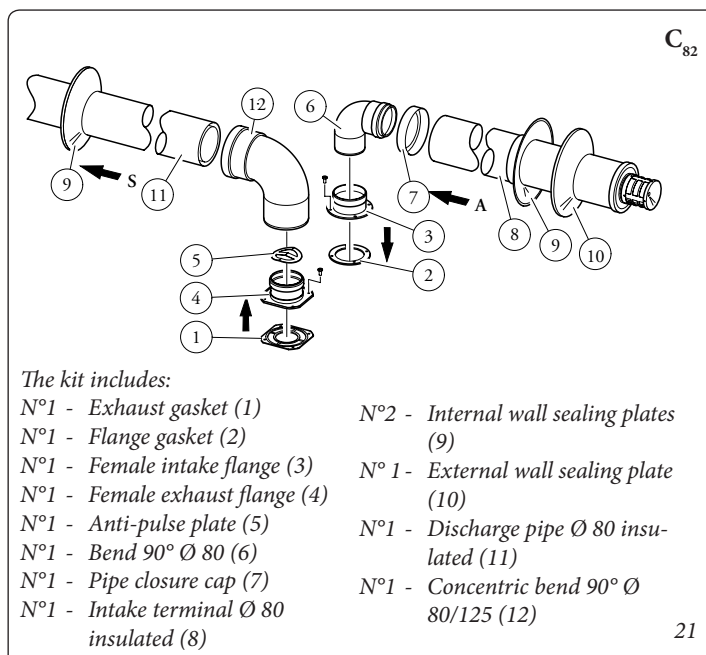
Insulated separator kit Ø 80/80 assembly (Fig. 21): install the flange (4) on the central hole of the boiler inserting the gasket (1) and tighten using the hex head and flat tip screws contained in the kit, insert the anti-pulse plate up to the stop (5). Remove the flat flange contained in the side hole with respect to the central one (as needed) and replace it with the flange (3), positioning the gasket (2) already present in the boiler and tighten using the supplied self-threading screws with tip. Insert and slide cap (7) onto bend (6) from the male side (smooth), and join bends (6) with the male side (smooth) in the female side of flange (3). Fit bend (12) with the male side (smooth) into the female side of flange (4). Fit the male end (smooth) of the intake terminal (8) up to the stop on the female end of the bend (6), making sure you have already inserted the wall sealing plates (9 and 10) that ensure correct installation between pipe and wall, then fix the closing cap (7) on the terminal (8). Join the exhaust pipe (11) with the male side (smooth) in the female side of the bend (12) to the end stop, ensuring that the wall sealing plate (9) is already inserted for correct installation between the pipe and flue.

• **Insulation of separator terminal kit.** Whenever there are flue gas condensate problems in the exhaust pipes or on the external surface of the intake pipes, on request Immergas supplies insulated intake-exhaust pipes. Insulation may be necessary on the exhaust pipe, due to excessive loss of temperature of the flue gas on their route. Insulation may be necessary on the intake pipe as the air entering (if very cold) may cause the outside of the pipe to fall below the dew point of the environmental air. The figures (Fig. 22 ÷ 23) illustrate different applications of insulated pipes.

Insulated pipes are formed of a Ø 80 internal concentric pipe and a Ø 125 external pipe with static air space. It is not technically possible to start with both Ø 80 elbows insulated, as clearances will not allow it. However starting with an insulated elbow is possible by choosing either the intake or exhaust pipe. When starting with the insulated intake bend it must be engaged on its flange until it is taken up to end stop on the flue gas exhaust flange, a situation that takes the two intake flue gas exhaust outlets to the same height.

- **Temperature loss in insulated flue ducting.** To prevent problems of flue gas condensate in the insulated exhaust pipe Ø 80, due to flue gas cooling through the wall, *the length of the pipe must be limited to 12 metres.* The figure (Fig. 23) illustrates a typical insulation application in which the intake pipe is short and the exhaust pipe is very long (over 5 m). The entire intake pipe is insulated to prevent moist air in the place where the boiler is installed, in contact with the pipe cooled by air entering from the outside. The entire exhaust pipe, except the elbow leaving the splitter is insulated to reduce heat loss from the pipe, thus preventing the formation of fume condensate.

When installing the insulated pipes, a section clamp with pin must be installed every 2 metres.



1.14 DUCTING OF FLUES OR TECHNICAL SLOTS.

Ducting is an operation through which, via the introduction of one or more relevant pipes, one achieves a system for the evacuation of the combustion products of a gas appliance, made up from the coupling of an existing or new ducting pipe with a chimney, flue or technical slot (also in new buildings) (Fig. 24).

Ducting requires ducts declared to be suitable for the purpose by the manufacturer, following the installation and user instructions, provided by the manufacturer and the requirements of the regulations in force.

In any case, ducting operations must respect the provisions contained in the standard and in current technical regulations;

The instructions in the project or technical report must likewise be followed, in cases provided for by the standard and current technical regulations.

To guarantee reliability and operation over time of the ducting system, make sure:

- it is used in average atmospheric and environmental conditions, according to current regulations (absence of combustion products, dusts or gases that can alter the normal thermophysical or chemical conditions; existence of temperatures coming within

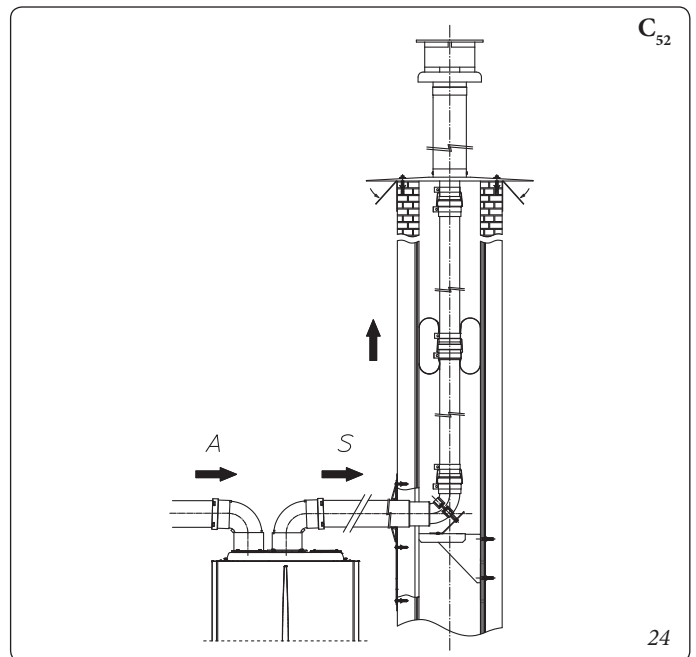
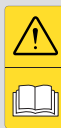
the standard range of daily variation, etc.).

- Installation and maintenance must be performed according to the indications supplied by the manufacturer included with the “blue range” ducting system chosen and in compliance with the regulations in force.
- The maximum length specified by the manufacturer must be respected; in this regard:
 - The max. possible length of the Ø 80 flexible ducting vertical section is equal to 6.7 m. This length is obtained considering the Ø 80 complete exhaust terminal, 1 m of Ø 80 pipe in exhaust, two 90° Ø 80 bends at boiler outlet for connecting to the ducting system and two direction changes of the flexible hose inside the chimney/technical slot.
 - The max. possible length of the Ø 80 flexible ducting vertical section is equal to 27 m. This length is obtained considering the complete Ø 80 exhaust terminal, 1 m of Ø 80 pipe in exhaust, two 90° Ø 80 bends at boiler outlet.

1.15 CONFIGURATION FOR C6 FLUE INSTALLATION.
Appliance designed to be connected to a commercial exhaust/ intake system.

Gastype		Eolo Mythos DOM 10 1E		Eolo Mythos DOM 18 1E		Eolo Mythos DOM 24 1E	
		G20	G31	G20	G31	G20	G31
Flue temperature at maximum output	°C	120	120	125	128	148	153
Flue gas mass at maximum power	kg/h	57	55	57	56	56	57
Flue temperature at minimum output	°C	116	117	116	117	116	117
Flue gas mass at minimum power	kg/h	57	55	57	55	57	55
CO ₂ at Q. max.	%	2,8	3,3	5,0	5,8	6,4	7,3
CO ₂ a Q. minimum	%	2,5	3,0	2,5	3,0	2,5	3,0
Maximum head available at the flue at maximum power (maximum resistance value of the commercial flue system)	Pa	99		99		99	
Maximum head available at the flue at minimum power	Pa	99		99		99	
Maximum temperature achievable in the exhaust ducts	°C	180		180		180	

- Ducts must withstand condensation (only for condensing models);
- Air intake ducts must withstand working air temperatures of up to 60°C;
- The maximum permissible percentage of flue gas recirculation in windy conditions is 10%.
- Suction and exhaust pipes cannot be installed on opposing walls;
- With flues in configuration C₆ discharge into pressurised flues is not permitted.



1.16 CONFIGURATION TYPE B, OPEN CHAMBER AND FAN ASSISTED FOR INDOORS.

The appliance can be installed inside buildings in B₂₂ mode; in this eventuality, all technical rules and national and local regulations in force, must be complied with.

1.17 FLUE EXHAUST TO FLUE/CHIMNEY.

Flue exhaust does not necessarily have to be connected to a branched type traditional flue. The flue exhaust, for boiler clots installed in C configuration, can be connected to a special LAS type multiple flue. For B₂₂ configurations, exhaust is only allowed into individual chimney or directly into the external atmosphere via a relevant terminal, unless otherwise provided by local regulations. Multiple and combined flues must be specially designed according to the calculation method and requirements of the technical standards in force, by a professionally qualified company. Chimney or flue sections for connection of the flue exhaust pipe must comply with requisites of technical standards in force.

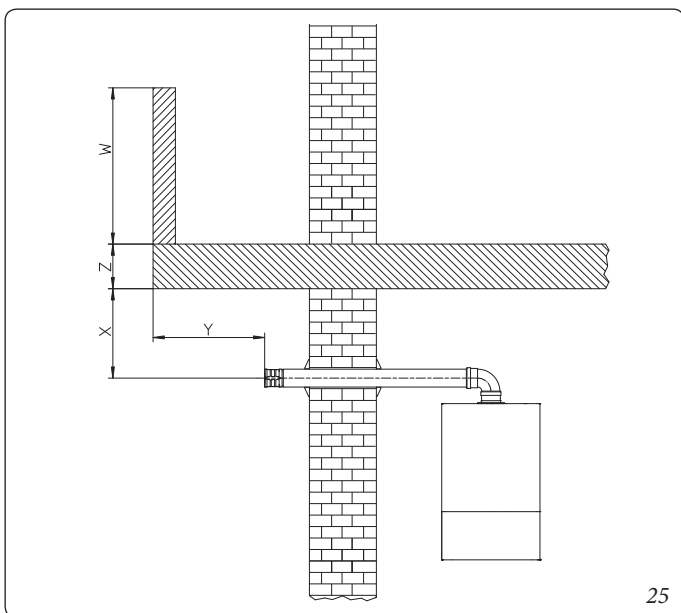
1.18 FLUES, CHIMNEYS AND CHIMNEY CAPS.

The flues, chimneys and chimney caps for the evacuation of combustion products must be in compliance with applicable standards. Chimneys and roof-installed exhaust terminals must comply with the outlet height and with the distance from technical volumes set forth by the technical standards in force.

Positioning the wall exhaust terminals. The exhaust terminals must:

- be installed on external perimeter walls of the building (fig. 25);
- be positioned according to the minimum distances specified in current technical standards.

Combustion products exhaust of natural or fan assisted appliances in open-top closed environments. In spaces closed on all sides with open tops (ventilation pits, courtyards etc.), direct flue gas exhaust is allowed for natural or forced draught gas appliances with a heating power range from 4 to 35 kW, provided the conditions as per the current technical standards are respected.



1.19 SYSTEM FILLING.

As already mentioned in the previous paragraphs, a treatment of the thermal and domestic system water is required, in compliance with the local standards in force.

The parameters that influence the duration and proper operation of the heat exchanger are the water's PH, hardness, conductivity, and oxygen, together with the system's processing residues (any welding residues), any oil present and corrosion products that can, in turn, cause damage to the heat exchanger.

To prevent this:

- Before installation on new systems as well as old ones, clean the system with clean water to eliminate solid residues contained therein.
 - Clean the system with a chemical treatment:
 - clean the old and the new system using a suitable cleaner (e.g. Idraclean Caldt5, Cillit HS 23 RS, Fernox Superfloc, Betz Deaborn Sentinel X300/X400, Salamander System Cleaner) combined with thorough washing.
 - Check the maximum hardness and amount of filling water; if the contents and hardness of the water are less than 15°F, no specific treatment is required; otherwise, to limit the content of calcium carbonate, you must provide for water-filling treatment.
 - For filling, you are not allowed to use water softened with the use of ionic-exchange resins or distilled water.
 - Should you be required to provide for water treatment, this should be carried out by completely desalinating the filling water. As opposed to the complete softening process, desalinating the water completely not only removes hardening agents (Ca, Mg), but also eliminates all other minerals to reduce water-filling conductivity up to 10 microsiemens/cm. Given its low conductivity, desalinated water does not only prevent the formation of lime scale, but also serves as protection against corrosion.
 - Insert a suitable inhibitor / passivator (for example Cillit HS 23 Combi, Fernox MB-1, Betz Deaborn Sentinel X100, Copal Salamander System Inhibitor); if required, also insert appropriate antifreeze (such as for example Cillit CC45).
 - Check the electrical conductivity of the water, which should be 600 µs/cm or less.
 - To prevent corrosion, the water system's PH should be between 7 and 8.5.
 - Check the maximum content of chlorides, which should be less than 250 mg/l.
- Note:** for quantities and methods of use of water-treatment products, refer to the instructions provided by their manufacturer.

1.20 SYSTEM FILLING.

Once the boiler is connected, proceed with system filling via the filling cock (Fig. 27).

Filling is performed at low speed to ensure release of air bubbles in the water via the boiler and central heating system vents.

The boiler has a built-in automatic venting valve on the circulator. *Check if the cap is loose.* Open the radiator vent valves.

Close radiator vent valves when only water escapes from them.

Close the filling valve when the boiler pressure gauge indicates approx. 1.2 bar.

Note: during these operations turn on the circulation pump at intervals, by means of the stand-by button located on the control panel. *Vent the circulation pump by loosening the front cap and keeping the motor running.*

Screw the cap back on after the operation.

1.21 GAS SYSTEM START-UP.

To start up the system, make reference to the Standard:

In particular, for new gas systems:

- open windows and doors;
- avoid presence of sparks or naked flames;
- bleed all air from pipelines;
- check that the internal system is properly sealed according to the regulations in force.

1.22 BOILER START UP (IGNITION).

To commission the boiler (the operations listed below must only be performed by a qualified firm and without any unauthorised persons):

- check that the internal system is properly sealed according to the regulations in force;
- ensure that the type of gas used corresponds to boiler settings;
- check that there are external factors that may cause the formation of fuel pockets;
- switch the boiler on and ensure correct ignition;
- make sure that the gas flow rate and relevant pressure values comply with those given in the manual (Paragraph 3.16);
- ensure that the safety device is engaged in the event of gas supply failure and check activation time;
- check activation of the main switch located upstream from the boiler;
- check that the intake and/or exhaust terminals (if fitted) are not blocked.

The boiler must not be started up even if only one of the checks should be negative.

1.23 CIRCULATION PUMP.

The Eolo Mythos Dom 10-18-24 1E series boilers are supplied with a built-in circulation pump with three-position electric speed control. The boiler does not operate correctly with the circulation pump on first speed. To ensure optimal boiler operation, in the case of new systems (single pipe and module) it is recommended to use the pump at maximum speed. The circulation pump is already fitted with a condenser.

Pump release. If, after a prolonged period of inactivity, the circulation pump is blocked, unscrew the front cap and turn the motor shaft using a screwdriver. Take great care during this operation to avoid damage to the motor.

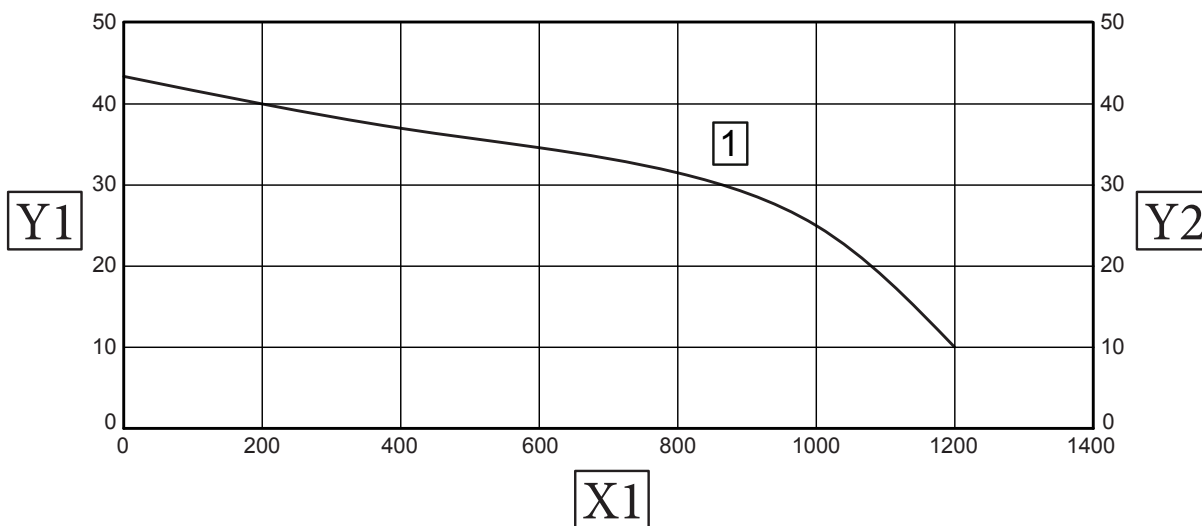
By-pass adjustment (det.23 Fig. 27). If necessary, the by-pass can be adjusted according to system requirements from a minimum (by-pass excluded) to a maximum (by-pass inserted) represented by the graph (Fig. 26). Make the adjustment using a flat head screwdriver, turn clockwise and insert the by-pass; by turning it anti-clockwise it is excluded.

1.24 KITS AVAILABLE ON REQUEST.

- Connection unit kit (on request). The kit includes pipes, fittings and cocks (including gas cock), to carry out all connections to the boiler system.
- System cut-off valve kits with or without inspectable filter (on request) The boiler is designed for installation of system interception cocks to be placed on flow and return pipes of the connection assembly. This kit is very useful for maintenance because it allows to empty just the boiler without having to empty the entire system. Moreover, the version with filter preserves the functioning characteristics of the boiler thanks to its inspectable filter.
- Polyphosphate dispenser kit (on request). The polyphosphate dispenser reduces the formation of lime-scale and preserves the original heat exchange and domestic hot water production conditions. The boiler is prepared for application of the polyphosphate dispenser kit.

The above-mentioned kits are supplied complete with instructions for assembly and use. Check the complete list of kits available and which can be combined with the product, consult the Immergas website, the Immergas Price List or the technical-commercial documentation (catalogues and data sheets).

Head available to the system.



Key:
 X1= Flow rate (l/min)
 Y1= Head (kPa)
 Y2= Pump absorbed power (W)
 1 = Head available to the system at speed 100%
 with by-pass closed

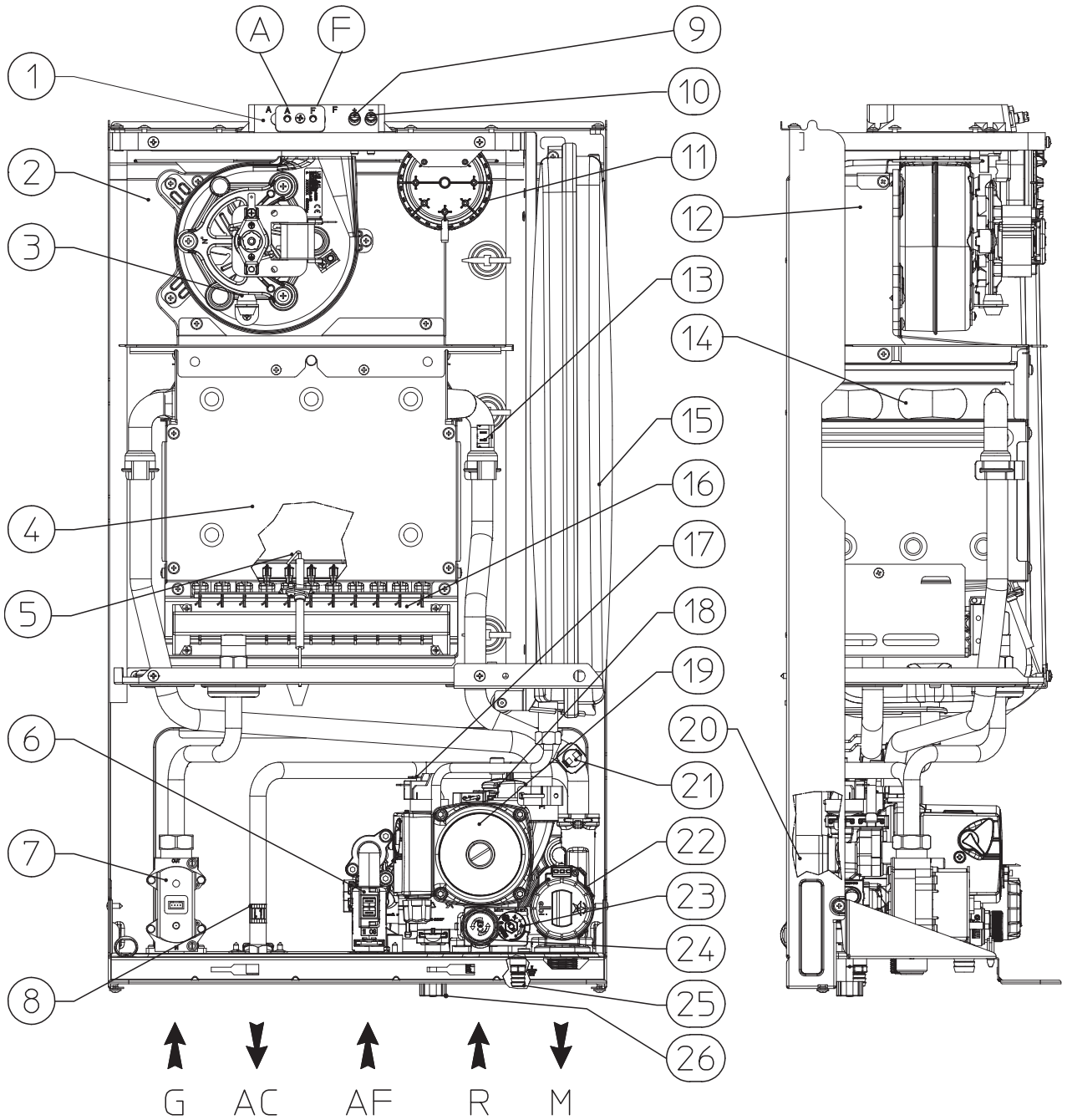
1.25 BOILER COMPONENTS.

INSTALLER

USER

MAINTENANCE TECHNICIAN

TECHNICAL DATA



Key:


- | | | |
|--|-------------------------------------|------------------------------|
| 1 - Sample points (air A) - (flue gases F) | 10 - Negative signal pressure point | 19 - Boiler pump |
| 2 - Sealed chamber | 11 - Flue pressure switch | 20 - D.H.W. heat exchanger |
| 3 - Fan | 12 - Flue hood | 21 - Safety thermostat |
| 4 - Combustion chamber | 13 - Flow probe | 22 - 3-way valve (motorised) |
| 5 - Ignition and detection electrodes | 14 - Primary heat exchanger | 23 - Adjustable by-pass |
| 6 - D.H.W. flow switch | 15 - System expansion vessel | 24 - 3 bar safety valve |
| 7 - Gas valve | 16 - Burner | 25 - System draining fitting |
| 8 - D.H.W. probe | 17 - System pressure switch | 26 - System filling valve |
| 9 - Positive signal pressure point | 18 - Air vent valve | |


Note: connection group (optional)

2 INSTRUCTIONS FOR USE AND MAINTENANCE.


2.1 GENERAL WARNINGS.

ATTENTION:


- Never expose the wall-mounted boiler to direct vapours from a cooking surface. 
- The device can be used by children at least 8 years old as well as by persons with reduced physical, sensory or mental capabilities, or lack of experience or required knowledge, provided that they are under surveillance, or after they have been instructed relating to the safe use and have understood the potential dangers. Children must not play with the appliance. Cleaning and maintenance destined to be performed by the user can not be carried out by unsupervised children.
- For safety purposes, check that the air intake/flue exhaust terminals (if fitted) are not blocked.
- If temporary shutdown of the boiler is required, proceed as follows:
 - a) drain the heating system if antifreeze is not used;
 - b) shut-off all electrical, water and gas supplies.
- In the case of work or maintenance to structures located in the vicinity of ducting or devices for flue extraction and relative accessories, switch off the appliance and on completion of operations ensure that a qualified technician checks efficiency of the ducting or other devices.
- Never clean the appliance or connected parts with easily flammable substances.
- Never leave containers or flammable substances in the same environment as the appliance.


- Do not open or tamper with the appliance. 
- Do not take apart or tamper with the intake and exhaust pipes.
- Only use the user interface devices listed in this section of the booklet.
- Do not climb on the appliance, do not use the appliance as a supporting surface.

ATTENTION:

- The use of components involving use of electrical power requires some fundamental rules to be observed such as: 
- do not touch the appliance with wet or moist parts of the body; do not touch it when bare-foot;
 - never pull electrical cables or leave the appliance exposed to atmospheric agents (rain, sunlight, etc.);
 - the appliance power cable must not be replaced by the user;
 - in the event of damage to the cable, switch off the appliance and contact exclusively qualified staff for replacement;
 - if the appliance is not to be used for a certain period, disconnect the main power switch.

ATTENTION:

water at a temperature of more than 50 °C can cause serious burns. Always check the water temperature before any use. 

The temperatures indicated by the display have a tolerance of +/- 3°C due to environmental conditions that cannot be blamed on the boiler. 

ATTENTION:

if you smell gas in the building:

- close the gas meter interception device or the main interception device;
- if possible, close the gas interception cock on the product;
- if possible, open doors and windows wide and create an air current;
- do not use open flames (e.g. lighters, matches);
- do not smoke;
- do not use electrical switches, plugs, door bells, telephones or intercom devices in the building;
- call an authorised company (e.g. Authorised After-Sales Service).

ATTENTION:

if you smell burning or see smoke coming out of the appliance, switch it off, disconnect power, close the main gas cock, open the windows and call an authorised company (e.g. Authorised After-Sales Service).

ATTENTION:

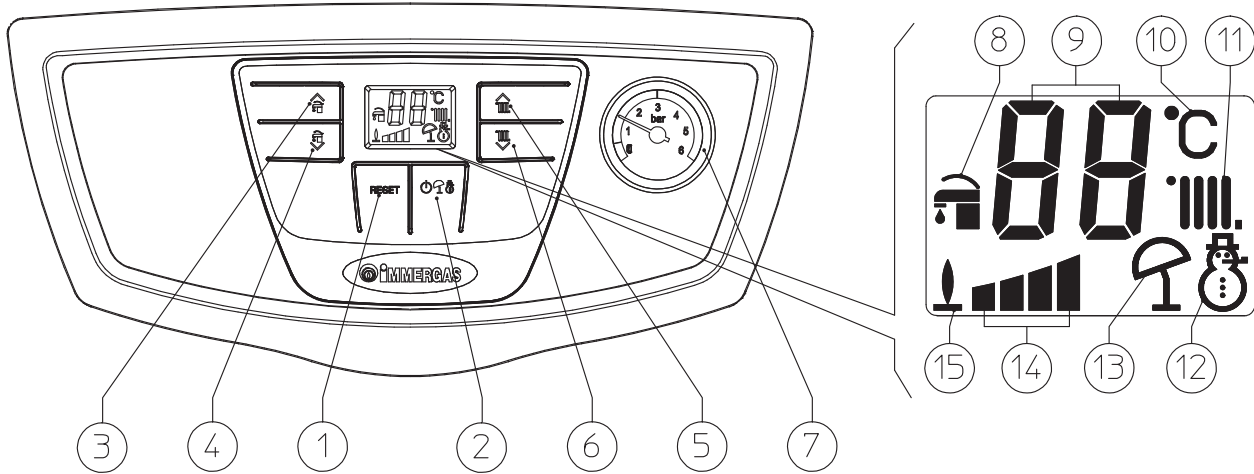
At the end of its service life, the appliance must not be disposed of like normal household waste nor abandoned in the environment, but must be removed by a professionally authorised company as required by current legislation. Contact the manufacturer for disposal instructions.

2.2 CLEANING AND MAINTENANCE.

To preserve the boiler's integrity and keep the safety features, performance and reliability, which distinguish it, unchanged over time, you must execute maintenance operations on a yearly basis in compliance with what is stated in the relative point at “annual check and maintenance of the appliance” within the limits established by the Law.



2.3 CONTROL PANEL.



Key:

- | | |
|---|--|
| 1 - Reset Button | 9 - Temperature and error code display |
| 2 - Stand-by / Summer / Winter button | 10 - Unit of measurement |
| 3 - Key (+) used to increase the DHW temperature setting. | 11 - Heating mode |
| 4 - Key (-) used to decrease the DHW temperature setting. | 12 - Winter |
| 5 - Key (+) to increase the system water temperature | 13 - Summer |
| 6 - Key (-) to reduce the system water temperature | 14 - Output efficiency |
| 7 - Boiler manometer | 15 - Flame presence |
| 8 - Domestic hot water function | |

2.4 IGNITION OF THE BOILER.

Before ignition make sure the heating system is filled with water and that the manometer (7) indicates a pressure of 1 ÷ 1.2 bar.

- Open the gas cock upstream from the boiler.
- Press key (2) and set the boiler on Summer (☀) or Winter (❄).

Note: the button (2) must be pressed and held for the time required to switch from the Stand-by (⏸), Summer (☀) or Winter (❄) function.

After each switch the button must in any case be released to switch to the next function.



- **Summer (☀):** when in summer position (☀) the domestic hot water temperature is adjusted with the buttons (3-4).
- **Winter (❄):** when the winter position is selected (❄) the system water temperature is adjusted with the buttons (5-6), whilst the domestic hot water temperature is adjusted using the buttons (3-4), by pressing (+) to increase and (-) to reduce the temperature.

From this moment the boiler functions automatically. With no demand for heat (central heating or domestic hot water production) the boiler goes to “standby” function, equivalent to the boiler being powered without presence of flame. Each time the boiler ignites, the relative flame present symbol is displayed (15).

2.5 FAULT AND ANOMALY SIGNALS.

In case of an anomaly, the letter "E" appears on the display alternately with the relevant error code occurred. The error codes are listed in the following table.

Error Code	Anomaly signalled	Cause	Boiler status / Solution
01	No ignition block	In the event of request of room central heating or domestic hot water production, the boiler does not switch on within the preset time. Upon appliance commissioning or after extended downtime, it may be necessary to eliminate the block.	Press the Reset button (1).
02	Safety thermostat block (over-temperature)	During normal operation, if a fault causes excessive overheating internally, the boiler goes into overheating block.	Press the Reset button (1).
03	Flue safety thermostat anomaly	Incorrect setting of parameter P14 (Paragraph 3.9).	Set parameter P14 according to the type of boiler in use. If necessary, press the Reset button (1).
05	Flow probe anomaly	The board detects an anomaly on the flow NTC probe.	The boiler does not start (1).
06	Domestic hot water probe anomaly	The board detects an anomaly on the domestic hot water NTC probe. In this case the antifreeze function is also inhibited	In this case the boiler continues to produce domestic hot water but not with optimal performance (1).
10	Insufficient system pressure	Water pressure inside the central heating circuit that is sufficient to guarantee the correct operation of the boiler is not detected.	Check on the boiler pressure gauge (1) that the system pressure is between 1÷1.2 bar and restore the correct pressure if necessary.
11	Flue pressure switch anomaly	This occurs in case of a fault in the flue pressure switch or the fan.	If normal conditions are restored the boiler restarts without having to be reset (1).
20	Parasite flame block	- This occurs in the event of a leak on the detection circuit or anomaly in the flame control unit.	Press the Reset button (1).

(1) If the shutdown or fault persists, contact an authorised company (e.g. Authorised Technical After-Sales Service).

• Operation with Comando Amico Remoto^{V2} (CAR^{V2}) (optional)

If the CAR^{V2} is connected, the boiler regulation parameters can be set via the CAR^{V2} control panel and the **RESET** button remains active on the boiler control panel, the "+" and "-" buttons for DHW and central heating as Set Info requested remotely and the display where the functioning state is shown.

ATTENTION:

In “Stand-by” mode, the boiler is to be considered still live.



Error Code	Anomaly signalled	Cause	Boiler status / Solution
24	Push button control panel anomaly	The board detects an anomaly on the pushbutton panel.	If normal conditions are restored the boiler restarts without having to be reset (1).
27	Insufficient circulation	This occurs if there is overheating in the boiler due to insufficient water circulating in the primary circuit; the causes can be: - low system circulation; check that no shut-off devices are closed on the heating circuit and that the system is free of air (deaerated); - circulating pump blocked; free the circulating pump.	If normal conditions are restored the boiler restarts without having to be reset (1).
31	Loss of remote control communication.	This occurs if an incompatible remote control is connected, or if communication between the boiler and the remote control is lost.	Disconnect and reconnect the power to the boiler. If the Remote Control is still not detected on re-starting, the boiler will switch to local operating mode, i.e. using the controls on the control panel. In this case the "Central Heating" (1) function cannot be activated.
37	Low power supply voltage	This occurs when the power supply voltage is lower than the allowed limits for the correct boiler operation.	If normal conditions are restored the boiler restarts without having to be reset (1).
38	Loss of flame signal	This occurs when the boiler is ignited correctly and the burner flame switches off unexpectedly; a new attempt at ignition is performed and if normal conditions are restored, the boiler does not have to be reset. Note: when attempting ignition, the minimum heat output of the boiler increased to a maximum of two consecutive ignitions; the minimum heat output conditions are reached once again, as per gas valve calibration, following the "P.C.B. PERIODIC AUTO-VERIFICATION" function or simply disconnecting the power supply to the boiler.	(1).
43	Block due to loss of flame signal	This occurs if the "Flame signal loss (38)" error occurs many times in a row within a preset period.	Press the Reset button (1).
44	Block for exceeding the maximum openings close to the gas valve	This occurs if the gas valve remains open for longer than required for normal operation, without the boiler switching on.	Press the Reset button (1).
59	Supply voltage frequency anomaly	The board detects a main supply voltage frequency anomaly.	The boiler does not start (1).
80	Block - gas valve driver issue	- This occurs in the event of malfunctions of the P.C.B. that controls the valve.	Press the Reset button (1).
85	Afterburner problem block	Potential gas valve, electrode or P.C.B. problem.	Press the Reset button (1).
98	Block - maximum no. of errors	The maximum number of errors has been reached.	Press the Reset button (1).

(1) If the shutdown or fault persists, contact an authorised company (e.g. Authorised Technical After-Sales Service).

INSTALLER

USER

MAINTENANCE TECHNICIAN

TECHNICAL DATA

2.6 INFORMATION MENU.

Pressing the buttons (3) and (4) simultaneously for 5 seconds, the "Information menu" is activated, which displays some boiler functioning parameters.

Press buttons (3) and (4) to scroll through the various parameters. To exit the menu, press buttons (3) and (4) simultaneously again for 5 seconds or wait for 5 minutes.


Id Parameter	Description
d1	Displays the flame signal
d2	Displays the primary exchanger output instant heating flow temperature (flow probe)
d3	Displays the instant output temperature from the DHW exchanger
d4	Not used
d5	Displays the operating instantaneous power (value in %).
d6	Displays the temperature set for the central heating set (if remote control is present)
d7	Displays the temperature set for the DHW set (if remote control is present)
E1 - E8	Display the anomaly history, of which E1 is the most recent

2.7 RESETTING THE ANOMALY HISTORY.

Press the Reset button on the information menu for > 2 seconds and < 4.5 seconds. "E-" will appear on the display.

Only during this time, if you release the button, it resets the anomaly history.

2.8 BOILER SHUTDOWN.

Press the button (2 Fig. 28)  until the symbol appears on the display (--).

ATTENTION:

In these conditions the boiler is to be considered still live.



Disconnect the omnipolar switch outside the boiler and close the gas cock upstream of the appliance. Never leave the boiler switched on if left unused for prolonged periods.

In the case of prolonged inactivity (second case), we also recommend that:

- disconnect the electric power supply;
- empty the boiler domestic hot water circuit via the drain valves (Fig. 27) and the internal domestic hot water distribution network.

2.9 RESTORE CENTRAL HEATING SYSTEM PRESSURE.

Periodically check the system water pressure. The boiler pressure gauge should read a value of between 1 and 1.2 bar.

If the pressure is below 1 bar (with the circuit cool) restore normal pressure via the filling cock located in the lower part of the boiler (Fig. 29).

Note: close the cock after the operation.

If pressure values reach around 3 bar the safety valve may be activated.

In this case, remove water from an air vent valve of a radiator until 1 bar is reached or ask for assistance from an authorised company.

In the event of frequent pressure drops, contact a qualified firm for assistance to remove any system leakage.

2.10 DRAINING THE SYSTEM.

1. Ensure that the filling cock is closed.
2. Open the draining cock (Parag. 1.25).
3. Open all vent valves.
4. At the end, close the emptying cock.
5. Close all previously opened vent valves.

ATTENTION:

if glycol was input in the system's circuit, make sure it is discharged into the waste water system, pursuant to regulation EN 1717



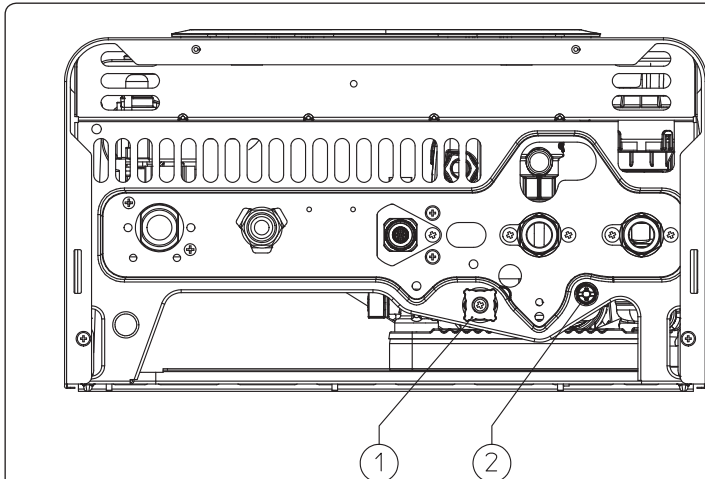
2.11 CLEANING THE CASE.

Use damp cloths and neutral detergent to clean the boiler casing. Never use abrasive or powder detergents.

2.12 DECOMMISSIONING.

In the event of permanent shutdown of the boiler, contact professional staff for the procedures and ensure that the electrical, water and gas supply lines are shut off and disconnected.

Bottom view.



Key:

- 1 - Filling valve
- 2 - Draining valve

3 INSTRUCTIONS FOR MAINTENANCE AND INITIAL CHECK.

3.1 GENERAL WARNINGS.

ATTENTION:

operators who install and service the appliance must wear the personal protective equipment (PPE) required by applicable law.



Note: the list of possible PPE is not complete as they are indicated by the employer.

ATTENTION:

before performing any maintenance operation, make sure:

- you have disconnected the power to the appliance;
- you have closed the gas cock;
- you have discharged the pressure from the system and domestic hot water circuit.



Supply of spare parts.

The device's warranty shall be rendered null and void if unapproved or unsuitable parts are used for maintenance or repairs. These will also compromise the product's compliance, and the said product may no longer be valid and fail to meet the current regulations.

With regard to the above, only use Immergas original spare parts when replacing parts.



If additional documentation needs to be consulted for extraordinary maintenance, contact the Authorised After-Sales Service.



3.2 INITIAL CHECK.

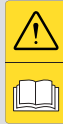
To commission the boiler:



- ensure that the declaration of conformity of installation is supplied with the appliance;
- make sure that the type of gas used corresponds to boiler settings (the type of gas is displayed on the data nameplate and in the relevant P01 parameter);
- check connection to a 230V ~ 50Hz power mains, correct L-N polarity and the earthing connection;
- make sure the central heating system is filled with water and that the boiler manometer indicates a pressure of 1÷1.2 bar;
- make sure the air valve cap is open and that the system is well deaerated;
- switch the boiler on and ensure correct ignition;
- check the CO₂ flow rate in the flue:
 - maximum;
 - minimum;
- the values comply with the relevant tables (Par. 3.3);
- check activation of the safety device in the event of no gas, as well as the relative activation time;
- check activation of the main switch located upstream from the boiler;
- check that the intake and/or exhaust terminals are not blocked;
- check activation of the “no air” safety pressure switch;
- ensure activation of all adjustment devices;
- seal the gas flow regulation devices (if the settings are changed);
- ensure production of domestic hot water;
- check the tightness of the hydraulic circuits;
- check ventilation and/or aeration of the installation room where provided.

Even if just one single safety check provides a negative result, do not commission the system.

3.3 YEARLY APPLIANCE CHECK AND MAINTENANCE.



The following checks and maintenance should be performed at least once a year to ensure operation, safety and efficiency of the appliance over time.

The following checks and maintenance should be performed at least once a year.

- Check that the system's water PH is between 7 and 8.5.
- Clean the flue side of the heat exchanger.
- Clean the main burner.
- Visually check the flue hood for deterioration or corrosion.
- Check correct lighting and operation.
- Ensure correct calibration of the burner in domestic water and heating phases.
- Check correct operation of control and adjustment devices and in particular:
 - intervention of main electrical switch positioned outside of the boiler;
 - system control thermostat intervention;
 - domestic hot water control thermostat intervention.
- Check sealing efficiency of gas circuit and the internal system; after 10 years of operation, it is necessary to replace the gas valve, then checking the tightness of the gas circuit.
- Check the intervention of the device against no gas ionisation flame control. Intervention time must be less than 10 seconds.
- Visually check for water leaks or oxidation from/on connections.
- Visually check that the water safety drain valve is not blocked.
- Check that, after discharging system pressure and bringing it to zero (read on boiler pressure gauge), the expansion vessel load is at 1.0 bar.
- Check that the system static pressure (with system cold and after refilling the system by means of the filling valve) is between 1 and 1.2 bar.
- Check visually that the safety and control devices have not been tampered with and/or shorted, in particular:
 - temperature safety thermostat;
 - water pressure switch;
- Check the function of the electrode.
- Check the condition and integrity of the electrical system and in particular:
 - electrical power cables must be inside the fairleads;
 - there must be no traces of blackening or burning.

Eolo Mythos Dom 10 1E		
	CO ₂ to nominal Q.	CO ₂ to minimum Q.
G 20	6.40% (± 0,5)	2.50% (± 0,5)
G 31	7.30% (± 0,5)	3.00% (± 0,5)

	O ₂ to nominal Q.	O ₂ to minimum Q.
G 20	9.40% (± 0.5)	16.40% (± 0.5)

Eolo Mythos Dom 18 1E		
	CO ₂ to nominal Q.	CO ₂ to minimum Q.
G 20	6.40% (± 0.5)	2.50% (± 0.5)
G 31	7.30% (± 0.5)	3.00% (± 0.5)

	O ₂ to nominal Q.	O ₂ to minimum Q.
G 20	9.40% (± 0.5)	16.40% (± 0.5)

Eolo Mythos Dom 24 1E		
	CO ₂ to nominal Q.	CO ₂ to minimum Q.
G 20	6.40% (± 0.5)	2.50% (± 0.5)
G 31	7.30% (± 0.5)	3.00% (± 0.5)

	O ₂ to nominal Q.	O ₂ to minimum Q.
G 20	9.40% (± 0.5)	16.40% (± 0.5)

In addition to yearly maintenance, one must also check the energy efficiency of the thermal system, with frequency and procedures that comply with the indications of the technical regulations in force.



INSTALLER

USER

MAINTENANCE TECHNICIAN

TECHNICAL DATA

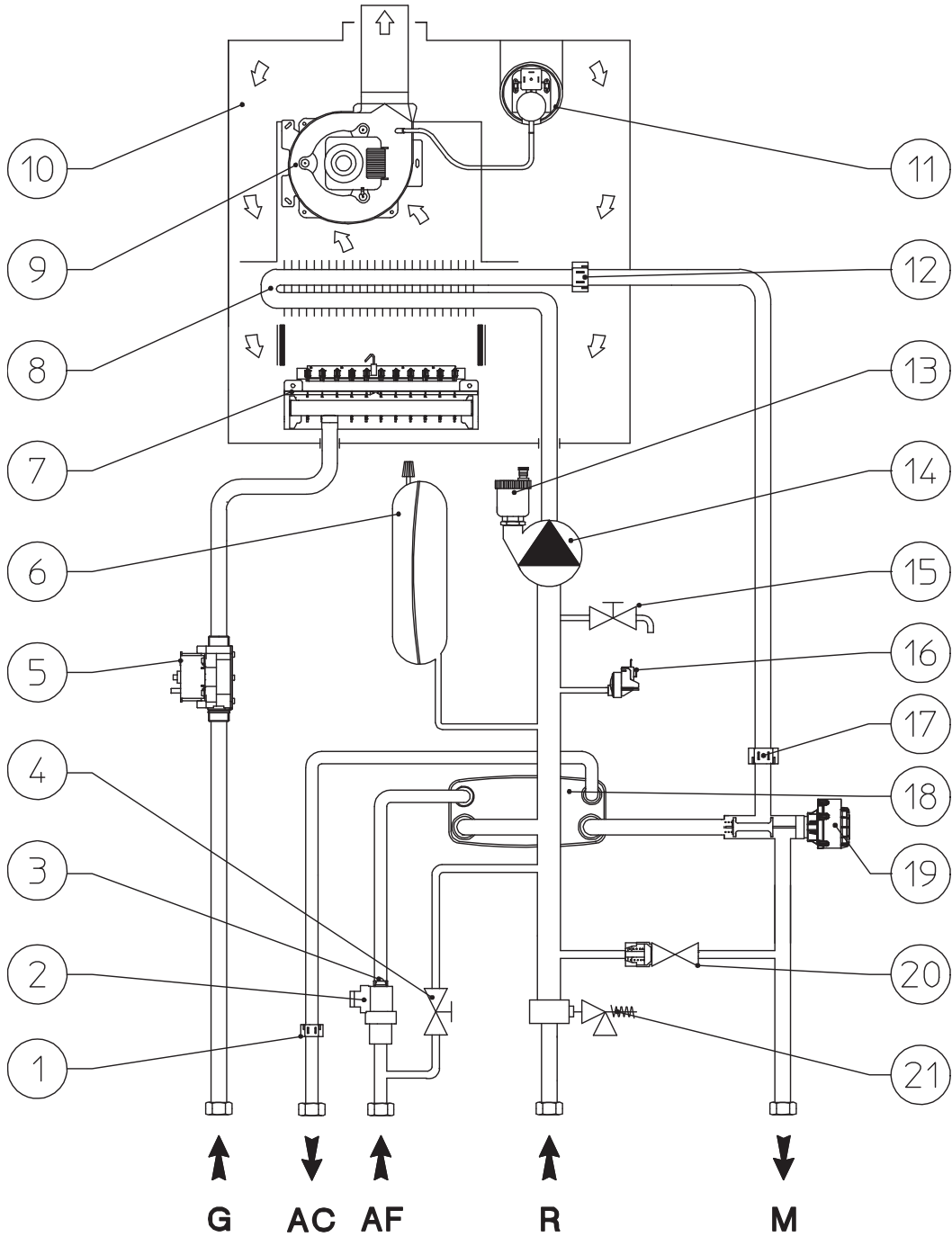
3.4 BOILER HYDRAULIC DIAGRAM.

INSTALLER

USER

MAINTENANCE TECHNICIAN

TECHNICAL DATA



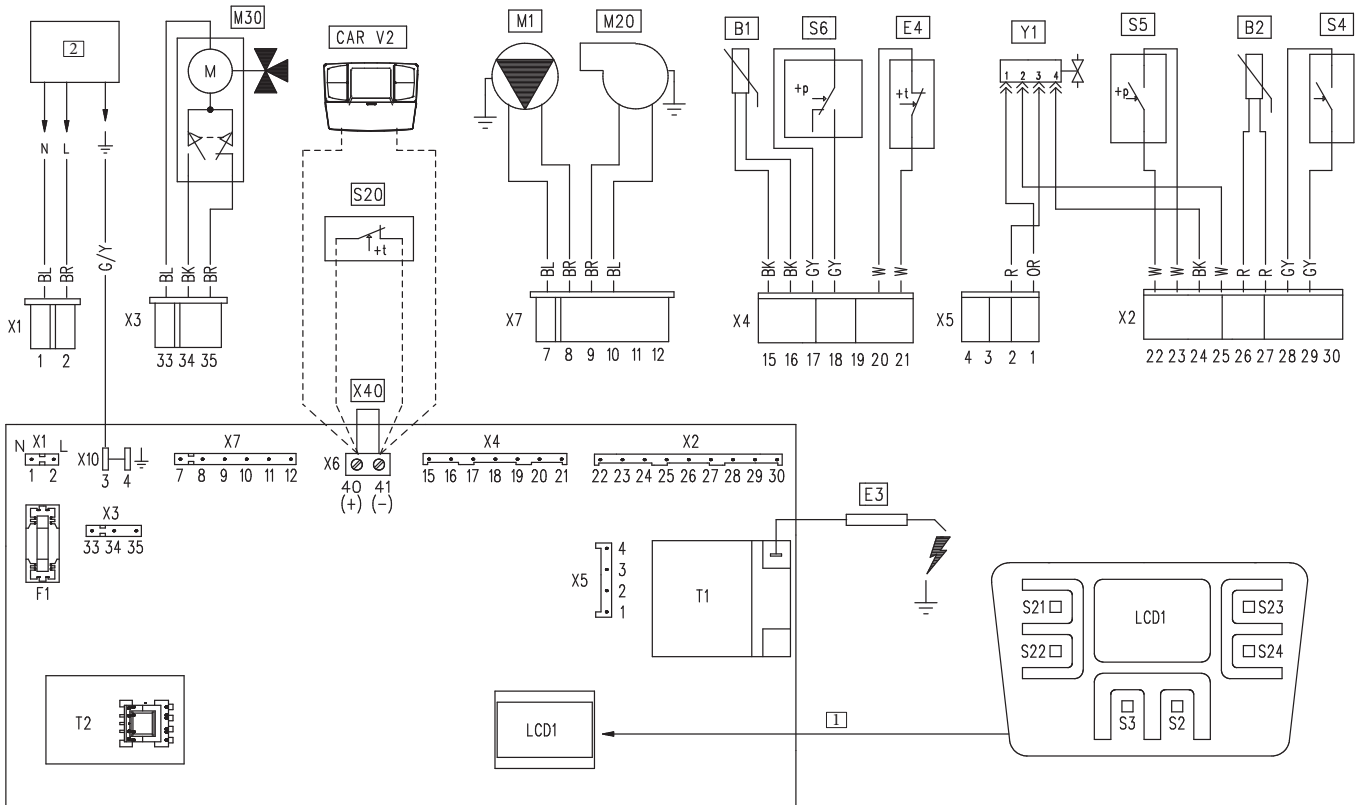
Key:

- 1 - D.H.W. probe
- 2 - D.H.W. flow switch
- 3 - Flow limiter
- 4 - System filling valve
- 5 - Gas valve
- 6 - System expansion vessel
- 7 - Burner
- 8 - Primary heat exchanger
- 9 - Fan
- 10 - Sealed chamber
- 11 - Flue pressure switch
- 12 - Flow probe
- 13 - Air vent valve
- 14 - Boiler pump

- 15 - System draining fitting
- 16 - System pressure switch
- 17 - Safety thermostat
- 18 - Plate heat exchanger
- 19 - 3-way valve (motorised)
- 20 - Adjustable by-pass
- 21 - 3 bar safety valve

- G - Gas supply
- AC - Domestic hot water outlet
- AF - Domestic hot water inlet
- R - System return
- M - System flow

3.5 WIRING DIAGRAM.



Key:

- | | | |
|--|---|---------------------|
| B1 - Flow probe | S6 - Flue pressure switch | BK - Black |
| B2 - D.H.W. probe | S20 - Room thermostat (optional) | BL - Blue |
| CAR ^{V2} - Comando Amico Remoto ^{V2} remote control (optional) | S21 - Key to increase DHW temperature | BR - Brown |
| E3 - Ignition and detection electrode | S22 - Key to decrease DHW temperature | G - Green |
| E4 - Safety thermostat | S23 - Key to increase central heating temperature | GY/G - Yellow/Green |
| F1 - Phase fuse | S24 - Key to decrease central heating temperature | OR - Orange |
| LCD1 - Display | T1 - Ignition transformer | P - Purple |
| M1 - Boiler pump | T2 - Boiler P.C.B. transformer | PK - Pink |
| M20 - Fan | X40 - Room thermostat jumper | R - Red |
| M30 - Three-way valve | Y1 - Gas valve | W - White |
| S2 - Selector switch functioning | 1 - User interface | Y - Yellow |
| S3 - Reset block key | 2 - 230 Vac 50 Hz supply voltage | W/BK - White/Black |
| S4 - D.H.W. flow switch | | |
| S5 - System pressure switch | | |

Comando Amico Remoto^{V2}.

The boiler is set-up for the application of the Comando Amico Remoto remote control V2 (CAR^{V2}) or of the Mini CRD, which must be connected to clamps 40 and 41, by observing polarity and eliminating jumper X40.

Room thermostat.

The boiler is set-up for the application of the Room Thermostat (S20) which must be connected to clamps 40 and 41 and by eliminating jumper X40.

The X6 connector is used for automatic inspection.

The user interface is on the welding side of the boiler board



3.6 POSSIBLE PROBLEMS AND THEIR CAUSES.

Maintenance interventions must be carried out by an authorised company (e.g. Authorised After-Sales Technical Assistance Service).



Trouble	Possible causes	Solutions
Smell of gas	Caused by leakage from gas circuit pipelines	Check sealing efficiency of gas intake circuit.
The fan works but ignition discharge does not occur on the burner ramp	The fan may start but the safety air pressure switch does not switch the contact over.	Make sure: 1) the intake-exhaust duct is not too long (over allowed length). 2) the intake-exhaust pipe is not partially blocked (on the exhaust or intake side). 3) the diaphragm of the fume exhaust is adequate for the length of the intake-exhaust duct. 4) the sealed chamber is kept in good conditions. 5) the fan power supply voltage is not less than 196 V.
Irregular combustion (red or yellow flame).	Can be caused by: dirty burner, clogged lamellar pack, intake - exhaust terminal not installed properly.	Clean the above components and ensure correct installation of the terminal.
Frequent activation of the temperature overload thermostat	It can depend on reduced water pressure in the boiler, little circulation in the heating system, the blocked pump or an anomaly of the boiler P.C.B.	- Check on the pressure gauge that the system pressure is within established limits. - Check that radiator valves are not all closed.
Abnormal noises in the system	Air in the system.	- Check opening of the special air vent valve cap (Fig. 27). - Make sure the system pressure and expansion vessel factory-set pressure values are within the set limits; the factory-set value for the expansion vessel must be 1.0 bar, and system pressure between 1 and 1.2 bar.
Ignition block	In the event of request of room central heating or domestic hot water production, the boiler does not switch on within the preset time. Upon appliance commissioning or after extended downtime, it may be necessary to eliminate the block.	Press the Reset button.
Presence of condensation on the boiler.	It can be determined by functioning at boiler temperatures that are excessively low.	In this case, make the boiler run at higher temperatures.

3.7 CONVERTING THE BOILER TO OTHER TYPES OF GAS.

The gas conversion operation must be carried out by an authorised company (e.g. Authorised Technical Assistance Service).



If the boiler has to be converted to a different gas type to that specified on the data nameplate, request the relative conversion kit for quick and easy conversion.

The gas conversion operation must be carried out by an authorised company (e.g. Authorised Technical After-Sales Service).

To convert to another type of gas the following operations are required:

- remove the voltage from the appliance;
- replace the main burner injectors, making sure to insert the special seal rings supplied in the kit, between the gas manifold and the injectors;
- apply voltage to the appliance;
- select, using the boiler key, the gas parameter type (P01) and select (nG) in the case of methane supply or (LG) in the case of LPG supply;
- Perform complete gas valve calibration
- adjust the boiler nominal heat output;
- adjust the boiler nominal heat output in domestic hot water phase;
- adjust the boiler nominal heat output in heating phase (Paragraph 3.9);
- adjust (eventually) the maximum heating power (Paragraph 3.9);
- after completing conversion, apply the sticker, present in the conversion kit, near the data-plate. Using an indelible marker pen, delete the data relative to the old type of gas.

These adjustments must be made with reference to the type of gas used, following that given in the table (Paragraph 3.16).

Checks following conversion to another type of gas.

After having made sure that the conversion is complete and that the calibration has been successful, you must make sure that:

- there is no flame in the combustion chamber;
- the burner flame is not too high or low and that it is stable (does not detach from burner);

ATTENTION:

The pressure testers used for calibration should be perfectly closed and there should be no leaks from the gas circuit.



Maintenance interventions must be carried out by an authorised company (e.g. Authorised After-Sales Technical Assistance Service).



Burner adjustment must be carried out using a differential "U" or digital type pressure gauge connected to the pressure socket located above the sealed chamber and the gas valve pressure point, keeping to the pressure value given in the table according to the type of gas for which the boiler is prepared.

3.8 GAS VALVE CALIBRATION.

The valve calibration must be carried out when the gas valve or the P.C.B. is replaced or in the case of conversion to a different type of gas.

To access the calibration phase, proceed as described below (Par. 2.3):

Complete calibration

Before carrying out complete calibration, ensure that all the requirements indicated in parag. 1.19.



No active requests for central heating or D.H.W. production must be present and the boiler must not be in "Stand-by" mode.



Set parameter P15 to 5 and exit from the menu.

- Adjustment of boiler nominal heat output
- Press buttons (2) and (5) simultaneously for 5 seconds until "Au" + "to" (Automatic) appears alternately on the display.
N.B.: press buttons (2) and (5) again for 5 seconds or wait 2 minutes without implementing any adjustment to exit from the complete calibration phase.
- Wait until the parameter b02 appears (adjustment of the boiler nominal heat output).
N.B.: the boiler starts up in heating mode; if you wish to adjust the D.H.W., open a hot water tap after the burner goes on.
- Adjust parameter b02, observing the maximum pressure values stated in the tables (Para. 4.1) depending on the type of gas.
- Press the button (5) to increase the thermal power and button (6) to decrease it. After the adjustment, press and hold the reset button (1) to save the parameter. Confirmation that the parameter has been saved is given by the value flashing.

ATTENTION:
if during the adjustment phase, the boiler nominal heat output value is exceeded by 0.2 mbar (table para. 4.1) you must exit and re-enter from the calibration step to rerun the adjustment.



- Adjustment of boiler minimum thermal heat output.
- Press button (3) or (4) to select parameter b01 (minimum boiler heat output during D.H.W.).

N.B.: only proceed after having calibrated the boiler nominal heat output.

- Press the button (5) to increase the thermal power and button (6) to decrease it. After the adjustment, press and hold the reset button (1) to save the parameter. Confirmation that the parameter has been saved is given by the value flashing.

Calibration correction.

The procedure described below allows the parameters set with the "Complete calibration" to be partially changed.

Access the valve calibration function.

N.B.: there must be no D.H.W. demand to access the gas valve calibration function.

If parameter P15 has recently been set to 5 (e.g. for full gas valve calibration), a different value must be set to access the "Calibration correction".

- Correction of boiler nominal heat output calibration.
- Press buttons (2) and (5) simultaneously for 5 seconds until "Ma" + "nu" (Manual) appears alternately on the display.

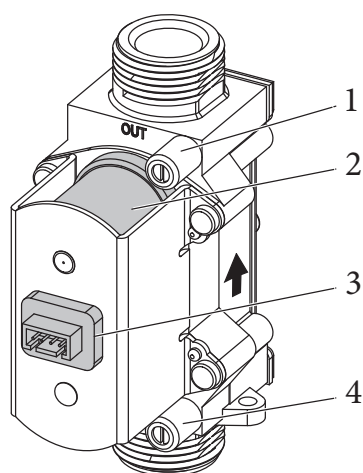
N.B.: press buttons (2) and (5) again for 5 seconds or wait 2 minutes without implementing any adjustment to exit from the calibration correction phase.

- Wait until the parameter b02 appears (adjustment of the boiler nominal heat output).

N.B.: the boiler starts up in heating mode; if you wish to adjust the D.H.W., open a hot water tap after the burner goes on.

- Adjust parameter b02, observing the maximum pressure values stated in the tables (Para. 4.1) depending on the type of gas.

SGV 100 B&P GAS valve



Key:

- 1 - Gas valve outlet pressure point
- 2 - Coil
- 3 - Wiring connector
- 4 - Gas valve inlet pressure point

3.9 PROGRAMMING THE P.C.B.

The boiler is prepared for possible programming of several operation parameters. By modifying these parameters as described below, the boiler can be adapted according to specific needs.

To access the programming phase, proceed as follows (references Fig.28):

- press buttons (1) and (2) for 5 about seconds until the programming mode is accessed on the display;

- using keys (3) and (4), select the parameter to be changed indicated in the following table;
- adjust the corresponding value consulting the table using buttons (5) and (6);
- confirm the value set by pressing the Reset button (1) for about 5 seconds.

Note: 2 minutes after no button is touched will automatically cancel the operation or by pressing buttons (1) and (2) simultaneously for about 5 seconds.

Id Parameter	Parameter	Description	Range (ref. 9 Fig. 28)	Default
P01	Gas type selection	The setting of this function is used to adjust the boiler so that it can operate with the correct type of gas	nG - Methane LG - LPG	Set according to the gas being used
P02	Heating switch-on delay request from room thermostat and remote control.	The boiler is set to switch-on 3 seconds after the request. In the event of particular systems (e.g. area systems with motorised thermostatic valves etc.) it may be necessary to delay ignition	0 - 20 (00 = 3 seconds 01 = 30 seconds 02 = 1 minute 20 = 10 minutes)	0
P03	Fixed or correlated domestic hot water set-point	By setting the parameter P3 in on mode, burner disabling is correlated to the adjustment of the domestic hot water temperature. In OFF mode, the burner is switched off at maximum value.	on - correlated oF - fixed	oF
P05	Minimum CH output	The boiler also has electronic modulation that adapts the boiler potentiality to the effective heating demand of the house. Then the boiler works normally in a variable gas pressure field between the minimum heating output and the maximum heating output depending on the system's heating load.	0 - 63 %	Set according to factory inspection
P06	Maximum central heating output	Note: the boiler is produced and calibrated in the central heating phase at nominal output. Approximately 10 minutes are needed to reach the nominal heat output, which can be changed using the parameter (P06). Note: the selection of the "Minimum heating output" and "Maximum heating output" parameters, in presence of a heating request, allows boiler ignition and power supply of the modulator with current equal to the value of the respective set value.	0 - 100 %	Set according to factory inspection
P07	Central heating ignitions timer	The boiler has electronic timing, which prevents the burner from igniting too often in central heating mode.	0 - 10 minutes (0 = 30 seconds)	3
P08	Central heating ramp timer	In the ignition phase, the boiler performs an ignition ramp in order to arrive at the maximum nominal power set.	0 - 10 minutes (0 = 30 seconds)	10
P10	Power ignition	Establishes the power at which the boiler must switch on. The 1st gas valve step soft ignition step can be set. The ignition power increases as the parameter value is increased.	0 - 40	0
P13	Temperature gradient	Change the insufficient circulation intervention value (E27)	0 - 15 (0 = Function deactivated)	11
P14	Boiler type	Establishes the boiler type and its functioning mode 1 = open chamber boiler (NIKE) 2 = sealed chamber boiler (EOLO)	1 - 2	2
P15	Gas valve calibration	Allows the gas valve to be calibrated 5 = complete calibration different from 5 = calibration correction	0 - 20	0
P16	Valve check	Attention: do not change this parameter	0 - 2	2
P17 (if it's present)	Flow off temperature increase (Central heating)	Increases the flow off temperature at ignition only in the first 30 seconds.	on - oF	on

Note: parameters P00, P04, P09, P11 and P12 are not used for this boiler model.

3.10 "CHIMNEY SWEEP" FUNCTION.

When activated, this function forces the boiler at max. output (P06) for 15 minutes.

In this state all adjustments are excluded and only the temperature safety thermostat and the limit thermostat remain active. To activate the chimney sweep function, press the Reset key for at least 5 seconds. Its activation is indicated by the flashing symbols (8 and 11 Fig. 28). This function allows the technician to check the combustion parameters. After the checks disable the function, switching the boiler off and then on again or simply by pressing the reset button for about 5 seconds (1 Fig. 28).

The maximum heating power can be set to P06 and P05 by pressing buttons (3 or 4). The power can be adjusted by one percentage point by pressing buttons (5 or 6).

If you wish to run the "chimney sweep" function in D.H.W., open a D.H.W. tap after switching the burner on.

The maximum boiler power can be set to 0% and 100% by pressing buttons (3 or 4). The power can be adjusted by one percentage point by pressing buttons (5 or 6).

The display of the boiler power percentage alternates with the display of the temperature read by the flow probe.



3.11 HEATING TIMER.

The boiler has an electronic timing device that prevents the burner from igniting too often in the heating phase. The boiler is supplied as per standard with a timer adjusted at 3 minutes. To adjust the timer values, follow instructions for parameter settings by selecting parameter (P07) and set it with one of the values indicated on the relative table.

3.12 THREE-WAY ANTI-BLOCK SYSTEM.

The boiler is supplied with a function that activates the motorised three-way unit every 24 hours, carrying out a complete cycle in order to reduce the risk of three-way block due to prolonged inactivity.

3.13 PUMP ANTI-BLOCK FUNCTION.

In the "summer" functioning mode (☀) the boiler has a function that starts the pump at least once every 24 hours for 30 seconds in order to reduce the risk of the pump becoming blocked due to prolonged inactivity.

In the "winter" functioning mode (❄) the boiler has a function that makes the pump start at least once every 3 hours for 30 seconds.

3.14 P.C.B. PERIODICAL SELF-CHECK.

During functioning in central heating mode or with boiler in standby, the function activates every 18 hours after the last boiler check/power supply. In case of functioning in domestic hot water mode the self-check starts within 10 minutes after the end of the withdrawing in progress, for duration of approx. 10 seconds.

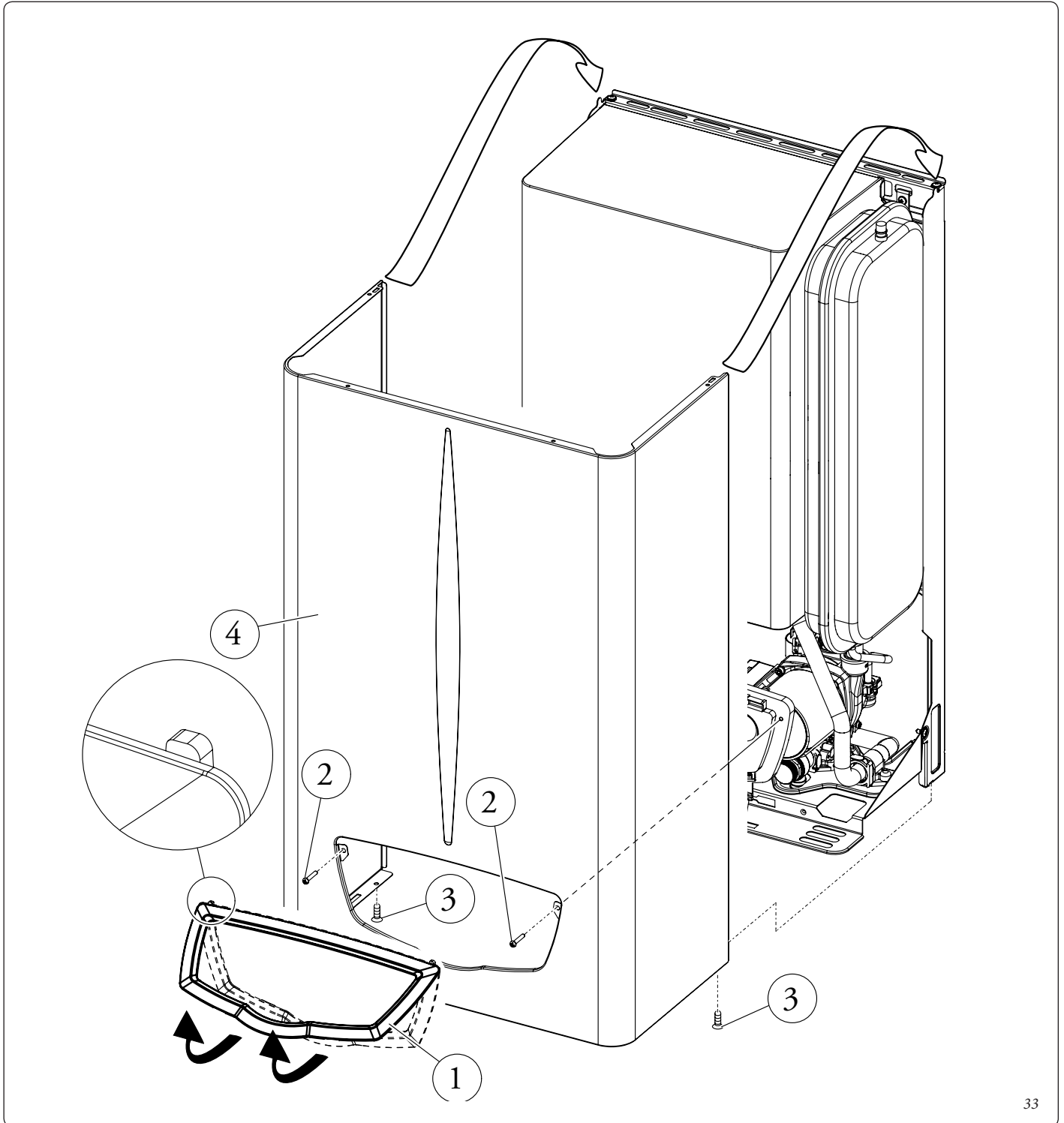
During self-check, the boiler remains off, including signalling.



3.15 CASING REMOVAL.

To facilitate boiler maintenance the casing can be completely removed as follows (Fig. 33):

- Remove the frame (1) holding the edges and pulling it towards you as indicated by the arrows.
- Undo the 2 front screws (2) and the 2 lower screws (3) which fasten the casing (4).
- Pull the casing (4) towards yourself and up at the same time to detach it from the upper hooks.



4 TECHNICAL DATA.

4.1 VARIABLE HEAT OUTPUT.

N.B.: the pressures indicated in the tables represent the difference in existing pressures between the gas valve outlet and the combustion chamber. The adjustments should therefore, be carried out using a differential manometer (small "U"-shaped column or digital manometer) with the probes inserted in the pressure

test gas valve outlet and on the sealed chamber positive pressure test. The power data given in the table is obtained with 0.5m long intake/exhaust pipe. Gas flow rates refer to heating power below a temperature of 15°C and pressure of 1013 mbar. Burner pressure values refer to use of gas at 15°C.

Eolo Mythos Dom 10 1E

		METHANE (G20)			PROPANE (G31)		
HEAT INPUT	HEAT OUTPUT	FAN REVS	MODULATION	BURNER GAS FLOWRATE	FAN REVS	MODULATION	BURNER GAS FLOWRATE
(kW)	(kW)	(kPa)	(%)	(m ³ /h)	(kPa)	(%)	(kg/h)
25.3	22.8	1.3	100	2.68	3.64	100	1.97
11.7	10.0	0.32	12	1.24	0.79	12	0.91
10.6	8.8	0.29	10	1.12	0.71	8	0.82
8.5	6.8	0.17	0	0.90	0.47	0	0.66

Eolo Mythos Dom 18 1E

		METHANE (G20)			PROPANE (G31)		
HEAT INPUT	HEAT OUTPUT	FAN REVS	MODULATION	BURNER GAS FLOWRATE	FAN REVS	MODULATION	BURNER GAS FLOWRATE
(kW)	(kW)	(kPa)	(%)	(m ³ /h)	(kPa)	(%)	(kg/h)
25.3	22.8	1.3	100	2.68	3.64	100	1.97
20.2	18.0	0.85	60	2.14	2.26	60	1.57
10.6	8.8	0.29	11	1.12	0.712	8	0.82
8.5	6.8	0.17	0	0.90	0.47	0	0.66

Eolo Mythos Dom 24 1E

		METHANE (G20)			PROPANE (G31)		
HEAT INPUT	HEAT OUTPUT	FAN REVS	MODULATION	BURNER GAS FLOWRATE	FAN REVS	MODULATION	BURNER GAS FLOWRATE
(kW)	(kW)	(kPa)	(%)	(m ³ /h)	(kPa)	(%)	(kg/h)
25.3	22.8	1.3	100	2.68	3.64	100	1.97
10.6	8.8	0.29	11	1.12	0.71	8	0.82
8.5	6.8	0.17	0	0.90	0.47	0	0.66

4.2 COMBUSTION PARAMETERS.

		G20	G31
Eolo Mythos Dom 10 1E			
Gas nozzle diameter	mm	1.30	0.79
supply pressure	mbar (mm H ₂ O)	20 (204)	37 (377)
Flue flow rate at D.H.W. nominal heat output	kg/h	56	57
Flue flow rate at heating nominal heat output	kg/h	57	55
Flue flow rate at min heat output	kg/h	57	55
CO ₂ at Nominal Q. O ₂ at Nominal Q.	%	6.40 / 9.40	7.30 / -
CO ₂ at Minimum Q. O ₂ at Minimum Q.	%	2.50 / 16.40	3.00 / -
CO with 0% O ₂ at Nom./Min. Q.	ppm	90 / 95	110 / 112
NO _x with 0% O ₂ at Nom./Min. Q.	mg/kWh	145 / 142	130 / 129
Flue temperature at nominal output	°C	148	153
Flue temperature at minimum output	°C	110	110
Eolo Mythos Dom 18 1E			
Gas nozzle diameter	mm	1.30	0.79
supply pressure	mbar (mm H ₂ O)	20 (204)	37 (377)
Flue flow rate at D.H.W. nominal heat output	kg/h	56	57
Flue flow rate at heating nominal heat output		57	56
Flue flow rate at min heat output	kg/h	57	55
CO ₂ at Nominal Q. O ₂ at Nominal Q.	%	6.40 / 9.40	7.30 / -
CO ₂ at Minimum Q. O ₂ at Minimum Q.	%	2.50 / 16.40	3.00 / -
CO with 0% O ₂ at Nom./Min. Q.	ppm	45 / 95	70 / 112
NO _x with 0% O ₂ at Nom./Min. Q.	mg/kWh	160 / 142	190 / 129
Flue temperature at nominal output	°C	148	153
Flue temperature at minimum output	°C	110	110
Eolo Mythos Dom 24 1E			
Gas nozzle diameter	mm	1,30	0,79
supply pressure	mbar (mm H ₂ O)	20 (204)	37 (377)
Flue flow rate at nominal heat output	kg/h	56	57
Flue flow rate at min heat output	kg/h	57	55
CO ₂ at Nominal Q. O ₂ at Nominal Q.	%	6.40 / 9.40	7.30 / -
CO ₂ at Minimum Q. O ₂ at Minimum Q.	%	2.50 / 16.40	3.00 / -
CO ₂ at Nom./Min. Q.	ppm	50 / 95	88 / 112
NO _x with 0% O ₂ at Nom./Min. Q.	mg/kWh	198 / 142	286 / 129
Flue temperature at nominal output	°C	148	153
Flue temperature at minimum output	°C	116	117

Combustion parameters: measuring conditions of useful efficiency (flow temperature/return temperature= 80 / 60 °C), ambient temperature reference = 15°C.

INSTALLER

USER

MAINTENANCE TECHNICIAN

TECHNICAL DATA

4.3 TECHNICAL DATA.

INSTALLER

USER

MAINTENANCE TECHNICIAN

TECHNICAL DATA

		Eolo Mythos Dom 10 IE	Eolo Mythos Dom 18 IE	Eolo Mythos Dom 24IE
Domestic hot water nominal heat input	kW (kcal/h)	25.3 (21736)	25.3 (21736)	25.3 (21734)
Central heating nominal heat input	kW (kcal/h)	11.7 (10041)	20.2 (17368)	25.3 (21734)
Minimum DHW heat input	kW (kcal/h)	8.5 (7308)	8.5 (7308)	8.5 (7308)
Central heating minimum heat input	kW (kcal/h)	10.6 (9106)	10.6 (9106)	10.6 (9106)
Domestic hot water nominal heat output (useful)	kW (kcal/h)	22.8 (19604)	22.8 (19604)	22.8 (19604)
Central heating nominal heat output (useful)	kW (kcal/h)	10.0 (8600)	18.0 (15480)	22.8 (19604)
DHW minimum heat output (useful)	kW (kcal/h)	6.8 (5846)	6.8 (5846)	6.8 (5846)
Central heating minimum heat output (useful)	kW (kcal/h)	8.8 (7566)	8.8 (7566)	8.8 (7566)
Efficiency at nominal heat output	%	85.7	89.1	90.1
Efficiency at 30% nominal heat output load	%	86.4	86.4	86.4
Heat loss at case with burner On/Off	(W)	49 / 106	471 / 106	332/ 106
Heat loss at flue with burner On/Off	(W)	1625 / 16	1731 / 16	1925 / 16
Central heating circuit max. operating pressure	bar	3.0	3.0	3.0
Maximum central heating temperature	°C	90	90	90
Adjustable central heating temperature	°C	38 - 85	38 -85	38 - 85
System expansion vessel total volume	l	4.2	4.2	4.2
Heating expansion vessel pre-charge	bar	1.0	1.0	1.0
Appliance water content	l	2.1	2.1	2.1
Domestic hot water adjustable temperature	°C	30 - 60	30 - 60	30 -60
Domestic hot water circuit min. pressure (dynamic)	bar	0.3	0.3	0.3
Domestic hot water circuit max. operating pressure	bar	10.0	10.0	10.0
Minimum D.H.W. flow rate	l/min	--	--	--
Flow rate capacity in continuous duty (ΔT 30°C)	l/min	--	--	--
Weight of full boiler	kg	31.2	31.2	31.2
Weight of empty boiler	kg	29.1	29.1	29.1
Electrical connection	V/Hz	230 / 50	230 / 50	230 / 50
Nominal power absorption	A	0.65	0.65	0.65
Installed electric power	W	130	130	130
Fan power absorbed power	W	-	-	-
Equipment electrical system protection	-	IPX5D	IPX5D	IPX5D
Ambient operating temperature range	°C	0,5 ÷ 40	0,5 ÷ 40	0,5 ÷ 40
Maximum flue overheating temperature	°C	180	180	180
NO _x class	-	3	3	3
Weighted NO _x G20	mg/kWh	140	140	140
Weighted CO G20	mg/kWh	83.40	83.40	83.40
Type of appliance	C12 /C32 / C42 / C52 / C62 /C82 / B22p / B32			
Category	II2H3P			

- The data relevant to domestic hot water performance refers to a dynamic inlet pressure of 2 bar and an inlet temperature of 15°C; the values are measured directly at the boiler outlet considering that to obtain the data declared mixing with cold water is necessary.

- The max. sound level emitted during boiler operation is < 55dBA. The sound level value is referred to semianechoic chamber tests with boiler operating at max. heat input, with extension of flue gas exhaust system according to product standards.

- * The efficiency values refer to the lower calorific value.

- The weighted NO_x value refer to the net calorific value.

4.4 KEY FOR DATA NAMEPLATE.

Md.		Cod. Md.	
Sr N°	CHK	PIN	T.
Type			
Q _{nw} /Q _n min.	Q _{nw} /Q _n max.	P _n min.	P _n max.
PMS	PMW	D	TM
NO _x Class			

N.B.: the technical data are provided on the data plate on the boiler.

	ENG
Md	Model
Code Md	Model code
Sr N°	Serial Number
CHK	Check
PIN	PIN code
T.	Minimum and maximum installation temperature
Type	Type of installation (ref. CEN TR 1749)
Q _{nw} min.	Minimum DHW heat input
Q _n min.	Central heating minimum heat input
Q _{nw} max.	DHW maximum heat input
Q _n max.	Central heating maximum heat input
P _n min.	Minimum heat output
P _n max.	Maximum heat output
PMS	Maximum system pressure
PMW	Maximum domestic hot water pressure
D	Specific flow rate
TM	Maximum operating temperature
NO _x Class	NO _x Class

INSTALLER

USER

MAINTENANCE TECHNICIAN

TECHNICAL DATA



This instruction booklet
is made of ecological paper



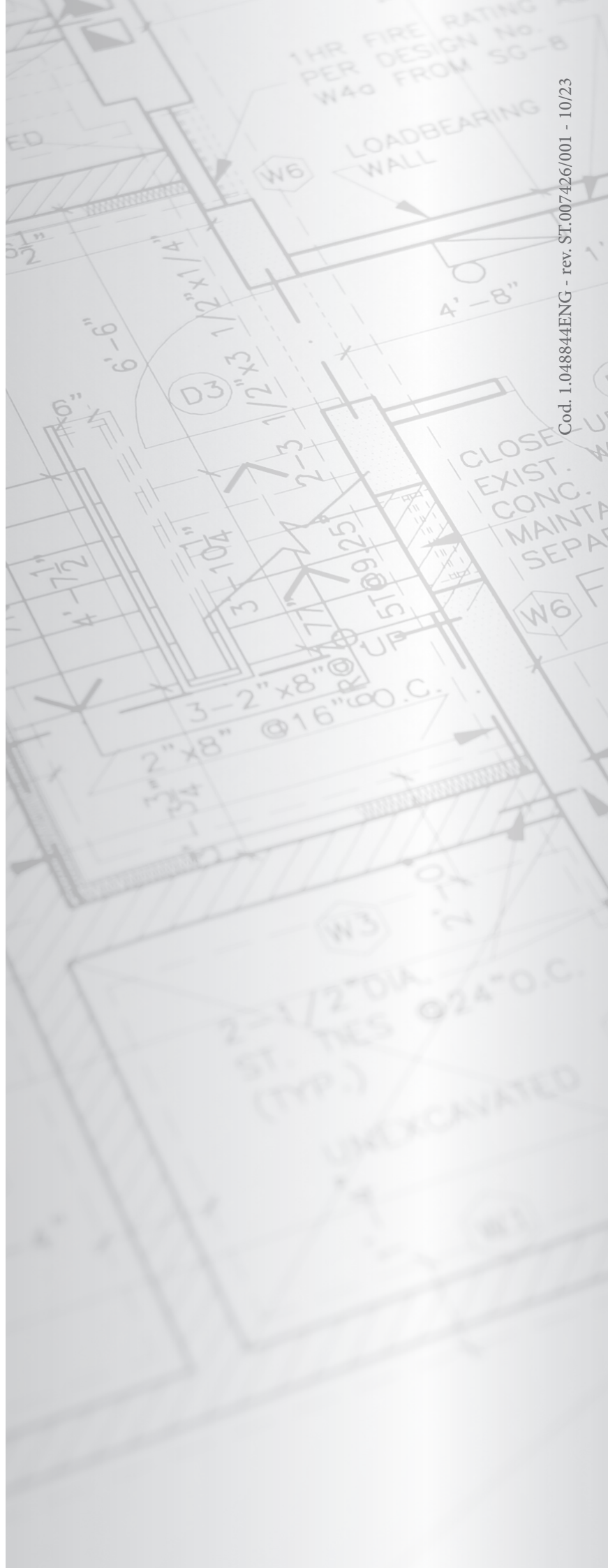
immergas.com

Immergas S.p.A.
42041 Brescello (RE) - Italy
Tel. 0522.689011
Fax 0522.680617



IMMERGAS
IMMERGAS SPA - ITALY
CERTIFIED COMPANY
UNI EN ISO 9001:2015

Design, manufacture and post-sale assistance of gas
boilers, gas water heaters and related accessories



Cod. I.048844ENG - rev. ST.007426/001 - 10/23