



# AIR CONDITIONERS

Monosplit  
Multisplit



Comfort, clean air and design  
solutions for all types of room

# AIR CONDITIONER

Comfort, clean air and design solutions for all types of room

With the new split unit range, Immergas makes **another step towards the total house comfort.**

**Air/air split heat pump** systems for air conditioning, developed with the purpose of integrating our full-electric range.

The high efficiency allows to create **air conditioning system with very low environmental footprint and reduced consumption.**

The units are **easy and flexible to install.** They have low response time and reach the set temperature quickly. **Perfectly suitable for low heat loads** even in second houses. The aesthetic is minimal and it fits well in every interior design context.

Indoor units comes with their own simple and functional remote control.  
The **CLIMAsmart app** is available to manage the air conditioning remotely.





### WI-FI REMOTE CONTROL VIA CLIMASMART APP

CLIMASMART app allows you a **remote control for air conditioners**, including turning them on and off.

It is possible to **set temperature, fan speed and monitor consumption** thanks to Wi-Fi.

You can create a **weekly schedule** to turn on or off the system whenever you like, hour by hour.

It is possible to choose the nighttime temperature with the **Sleep function, which also reduces noise and promotes sleep**.

Control of the air conditioner can be shared between multiple users with the **Share Device system** and all users can check the system's status at any time.



# High efficiency direct expansion monosplit

The GOTHA range is **ideal for residential buildings** and for users who are particularly attentive to **air quality** and **climatic comfort**.

## HIGH EFFICIENCY

Excellent energy saving and rapid response times for all rooms.

## AIR QUALITY

The Air Ionizer, as per standard with the unit, attracts electrostatically all suspended particles like dust, smoke clouds, pollen or bacteria and increases air quality. When activated with the remote control reaches its maximum effectiveness in just a few minutes.

## REMOTE CONTROLLED COMFORT

The Wi-Fi module, as per standard, enables the user to remotely control the unit with the simple CLIMAsmart app. It is possible to set temperature, timeslots, on/off cycles and monitor consumption.



# GOTHA

Direct expansion Monosplit with inverter technology



Air ionizer



App CLIMAsmart

## TECHNICAL FEATURES

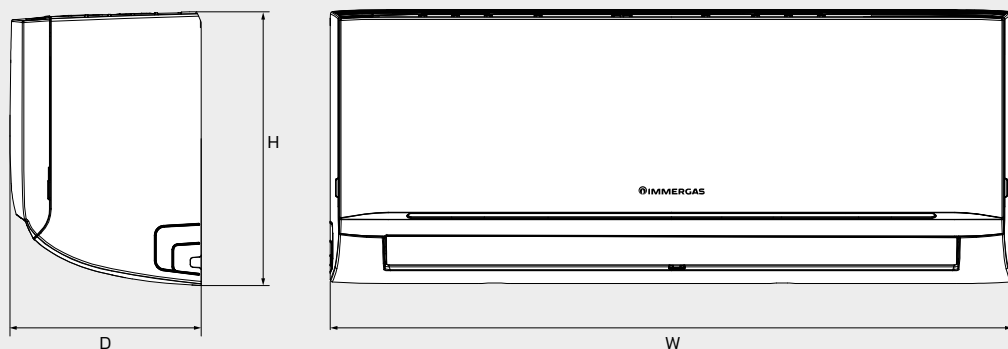
- Air ionizer filter as standard
- Wi-Fi kit for control via CLIMAsmart app as standard
- Infrared remote control as standard
- Backlit display
- Silent operating mode
- Inverter technology
- R32 refrigerant gas
- Easy installation
- Installation flexibility
- Indoor and outdoor unit supplied with different article numbers
- Installation template as standard





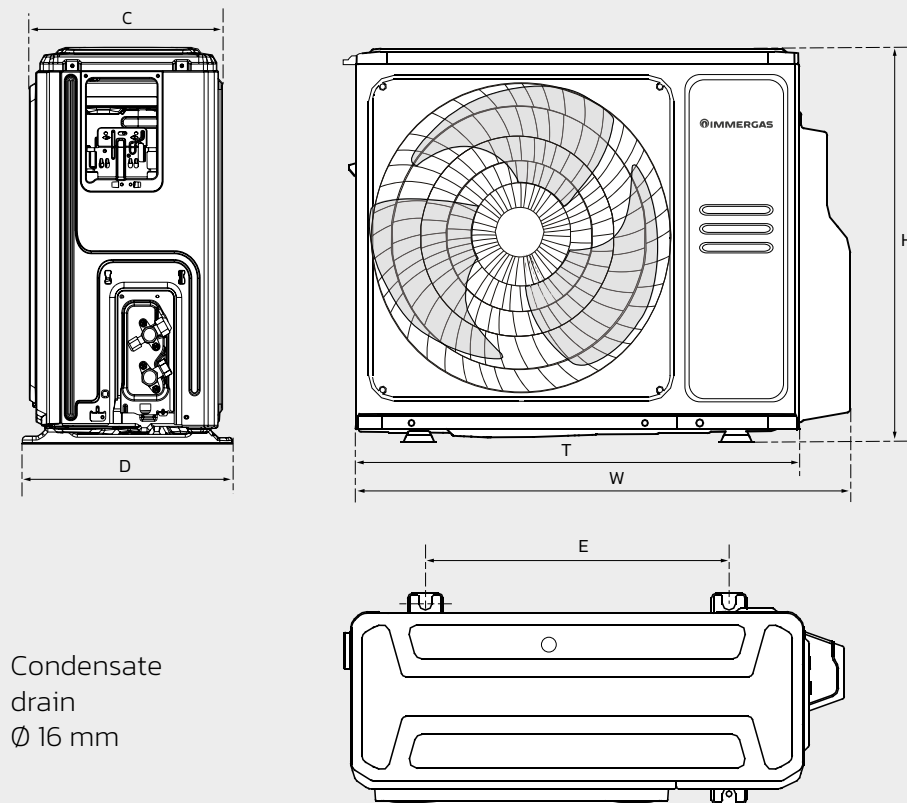
**GOTHA Indoor unit**

Condensate drain  
Ø 16 mm



Model	Dimensions (H x W x D) mm	Net weight (kg)
UI GOTHA 9	296 x 805 x 205	8,7
UI GOTHA 12	296 x 805 x 205	8,7

**GOTHA Outdoor unit**



Condensate drain  
Ø 16 mm

The outdoor unit contains the right amount of R32 gas to allow a maximum distance between it and the indoor unit of 5 mt. A minimum route of 3 m is required for operation to reduce excess vibrations and noise to a minimum.

Model	Dimensions mm						Net weight (kg)
	H	W	C	E	T	D	
UE GOTHA 9	555	835	303	452	765	314	26,4
UE GOTHA 12	555	835	303	452	765	314	26,4

R32 connections		
Model	Liquid pipe diameter	Gas pipe diameter
UE GOTHA 9	1/4"	3/8"
UE GOTHA 12	1/4"	3/8"

## GOTHA Indoor unit and Outdoor unit

Type	Model	Art. no.	Nominal output power cooling (kW)	Nominal output power heating (kW)
Indoor unit	<b>UI GOTHA 9</b>	3.035039	2,64	2,93
Outdoor unit	<b>UE GOTHA 9</b>	3.035040		
Indoor unit	<b>UI GOTHA 12</b>	3.035041	3,52	3,81
Outdoor unit	<b>UE GOTHA 12</b>	3.035042		

Technical data	Measurement unit	GOTHA 9	GOTHA 12
<b>Cooling energy class</b>		<b>A+++</b>	<b>A+++</b>
<b>Heating energy class (average climate)</b>		<b>A++</b>	<b>A++</b>
<b>Heating energy class (warmer climate)</b>		<b>A+++</b>	<b>A+++</b>
Nominal output power cooling	Btu/h - kW	9.000 (2,64)	12.000 (3,52)
Output power cooling (max - min)	kW	3,22 - 1,02	4,30 - 1,37
Output power cooling (max - min)	Btu/h	11.000 - 3.500	14.700 - 4.700
Electrical absorbed power cooling (nominal)	W	628	1.005
Nominal output power heating	Btu/h - kW	10.000 (2,93)	13.000 (3,81)
Output power heating (max - min)	kW	3,37 - 0,82	4,38 - 1,06
Output power heating (max - min)	Btu/h	11.500 - 2.800	14.950 - 3.640
Electrical absorbed power heating (nominal)	W	651	977
Power supply	V/Hz/Ph	220 - 240/50/1	220 - 240/50/1
EER	-	4,20	3,50
COP	-	4,50	3,90
SEER/Energy class	-	8,8	8,5
SCOP/Energy class	-	4,6	4,6
Indoor unit air flow (max-med-min)	m <sup>3</sup> /h	510 - 360 - 300	520 - 370 - 310
Indoor unit sound pressure (max-med-min)	dB(A)	37 - 31 - 22	39 - 33 - 22
Outdoor unit sound pressure	dB(A)	54	54,5
Max pipe length (with pre-loaded gas)	m	5	5
Max pipe length	m	25	25
Max height difference	m	10	10
Working range outdoor unit cooling	°C	-15 / 50	-15 / 50
Working range outdoor unit heating	°C	-20 / 24	-20 / 24
Refrigerant gas	-	R32	R32
GWP refrigerant	-	675	675
Gas pre-load	kg	0,62	0,62





## Direct expansion **monosplit** for all kind of buildings

The THOR range is optimal **for residential buildings and small businesses**, to achieve maximum quality-price ratio.

### **WIDE RANGE**

Available in 4 models from 9.000 to 24.000 Btu/h, to ensure the perfect heating/cooling solution for each situation.

### **EASY MANAGEMENT**

Equipped as per standard with infrared remote control. They can be integrated with Wi-Fi module to enable control via web with the CLIMAsmart app.

### **EASY INSTALLATION**

Thanks to the template as per standard and to the wide installation passages for pipes and wires.





# THOR

Direct expansion Monosplit with inverter technology



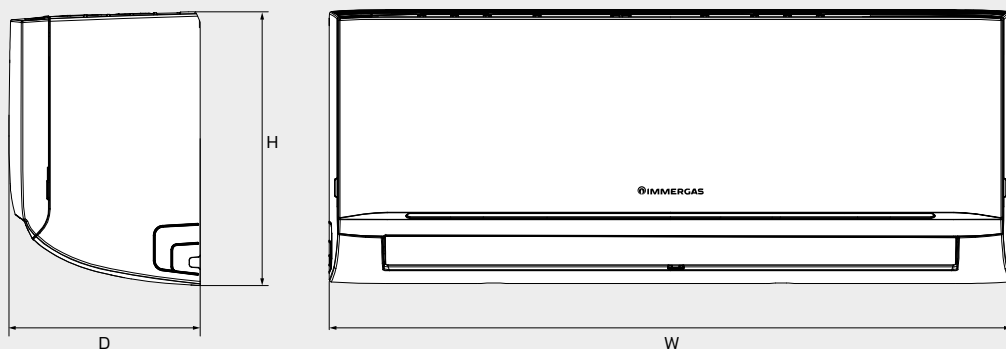
## TECHNICAL FEATURES

- Wide range (4 output powers from 9.000 to 24.000 Btu/h)
- Wi-Fi kit for control via app as optional kit
- Infrared remote control as standard
- Backlit display
- Silent operating mode
- Inverter technology
- R32 refrigerant gas
- Easy installation
- Installation flexibility
- Indoor and outdoor unit supplied with different article numbers
- Installation template as standard



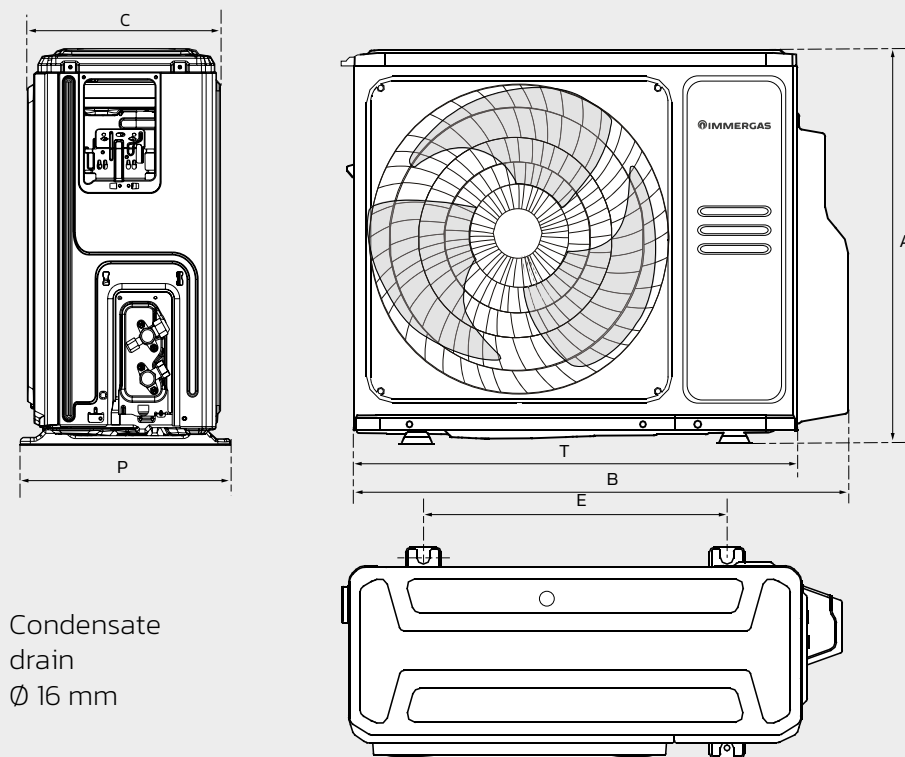
THOR Indoor unit

Condensate drain  
Ø 16 mm



Model	Dimensions (H x W x D) mm	Net weight (kg)
UI THOR 9	292 x 729 x 204	8,0
UI THOR 12	296 x 805 x 205	8,7
UI THOR 18	321 x 971 x 230	11,2
UI THOR 24	337 x 1082 x 234	13,6

THOR Outdoor unit



Condensate drain  
Ø 16 mm

The outdoor unit contains the right amount of R32 gas to allow a maximum distance between it and the indoor unit of 5 mt. A minimum route of 3 m is required for operation to reduce excess vibrations and noise to a minimum.

Model	Dimensions mm						Net weight (kg)
	H	W	C	E	T	D	
UE THOR 9	495	790	270	452	720	281	23,5
UE THOR 12	495	790	270	452	720	281	23,7
UE THOR 18	554	874	330	511	805	346	33,5
UE THOR 24	673	955	342	663	890	380	43,9

R32 connections		
Model	Liquid pipe diameter	Gas pipe diameter
UE THOR 9	1/4"	3/8"
UE THOR 12	1/4"	3/8"
UE THOR 18	1/4"	1/2"
UE THOR 24	3/8"	5/8"

## THOR Indoor unit and Outdoor unit

Type	Model	Art. no.	Nominal output power cooling (kW)	Nominal output power heating (kW)
Indoor unit	<b>UI THOR 9</b>	3.035031	2,64	2,93
Outdoor unit	<b>UE THOR 9</b>	3.035032		
Indoor unit	<b>UI THOR 12</b>	3.035033	3,52	3,81
Outdoor unit	<b>UE THOR 12</b>	3.035034		
Indoor unit	<b>UI THOR 18</b>	3.035035	5,28	5,39
Outdoor unit	<b>UE THOR 18</b>	3.035036		
Indoor unit	<b>UI THOR 24</b>	3.035037	7,03	7,33
Outdoor unit	<b>UE THOR 24</b>	3.035038		

Technical data	Measurement unit	THOR 9	THOR 12	THOR 18	THOR 24
<b>Cooling energy class</b>		<b>A++</b>	<b>A++</b>	<b>A++</b>	<b>A++</b>
<b>Heating energy class (average climate)</b>		<b>A+</b>	<b>A+</b>	<b>A+</b>	<b>A+</b>
<b>Heating energy class (warmer climate)</b>		<b>A+++</b>	<b>A+++</b>	<b>A+++</b>	<b>A+++</b>
Nominal output power cooling	Btu/h - kW	9.000 (2,64)	12.000 (3,52)	18.000 (5,28)	24.000 (7,03)
Output power cooling (max - min)	kW	3,22 - 1,03	4,31 - 1,38	6,27 - 1,93	8,21 - 2,11
Output power cooling (max - min)	Btu/h	11.000 - 3.500	14.700 - 4.700	21.400 - 6.600	28.000 - 7.200
Electrical absorbed power cooling (nominal)	W	733	1.089	1.550	2.111
Nominal output power heating	Btu/h - kW	10.000 (2,93)	13.000 (3,81)	18.400 (5,39)	25.000 (7,33)
Output power heating (max - min)	kW	3,37 - 0,82	4,38 - 1,07	5,85 - 1,23	8,21 - 1,55
Output power heating (max - min)	Btu/h	11.500 - 2.800	14.950 - 3.650	19.960 - 4.400	28.000 - 5.300
Electrical absorbed power heating (nominal)	W	771	1.027	1.433	1.949
Power supply	V/Hz/Ph	220 - 240/50/1	220 - 240/50/1	220 - 240/50/1	220 - 240/50/1
EER	-	3,60	3,23	3,40	3,33
COP	-	3,80	3,71	3,76	3,76
SEER/Energy class	-	7,4	7,0	7,0	6,4
SCOP/Energy class	-	4,1	4,2	4,0	4,0
Indoor unit air flow (max-med-min)	m <sup>3</sup> /h	460 - 330 - 260	530 - 400 - 350	800 - 600 - 500	1090 - 770 - 610
Indoor unit sound pressure (max-med-min)	dB(A)	37 - 32 - 22	37 - 32 - 22	41 - 37 - 31	46 - 37 - 34,5
Outdoor unit sound pressure	dB(A)	55,5	56,0	57,0	60,0
Max pipe length (with pre-loaded gas)	m	5	5	5	5
Max pipe length	m	25	25	30	50
Max height difference	m	10	10	20	25
Working range outdoor unit cooling	°C	-15 / 50	-15 / 50	-15 / 50	-15 / 50
Working range outdoor unit heating	°C	-20 / 24	-20 / 24	-20 / 24	-20 / 24
Refrigerant gas	-	R32	R32	R32	R32
GWP refrigerant	-	675	675	675	675
Gas pre-load	kg	0,60	0,65	1,10	1,45





## Direct expansion **multisplit** for many combinations

The MULTI range is suitable for connection with 2 up to 5 indoor units. This makes it a perfect **solution for heating/cooling of commercial buildings, restaurants, offices and new residential buildings.**

### **WIDE RANGE**

6 different outdoor units with power from 18.000 to 42.000 Btu/h pairable with 5 type of indoor units:

- wall-hung
- box
- ductable
- ceiling/floor
- console

# MULTI

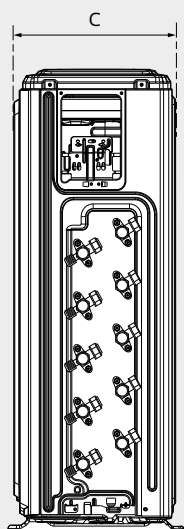
Direct expansion Multisplit with inverter technology for configurations from 2 to 5 indoor units



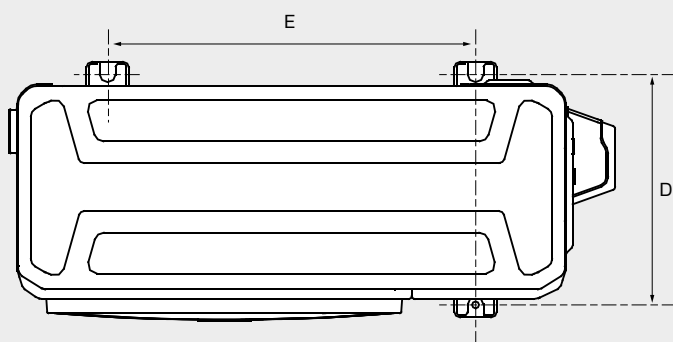
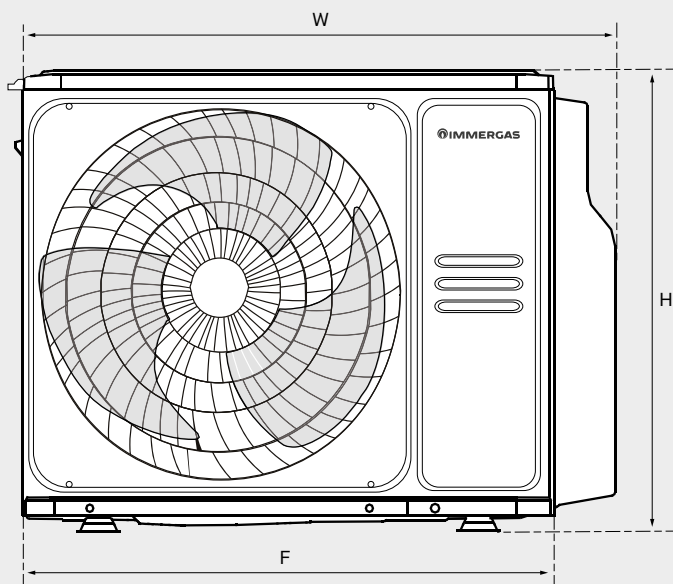
## TECHNICAL FEATURES

- Outdoor units with 6 output power (from 18.000 to 42.000 Btu/h)
- 5 different types of indoor units: wall-hung, box, ductable, ceiling/floor and console
- Silent operating mode
- Inverter technology
- Wi-Fi kit for remote control of indoor units as optional kit (CLIMASMART app as standard with GOTHA indoor units)
- R32 refrigerant gas

MULTI Outdoor unit



Condensate drain  
Ø mm 16



Model	Dimensions mm						Net weight (kg)
	H	W	C	E	F	D	
UE MULTI 18 DUAL	554	870	330	511	805	317	35,0
UE MULTI 21 TRIAL	673	990	342	663	890	354	43,3
UE MULTI 27 TRIAL	673	990	342	663	890	354	48,0
UE MULTI 28 QUADRI	810	1034	410	673	946	403	62,1
UE MULTI 36 QUADRI	810	1034	410	673	946	403	68,8
UE MULTI 42 PENTA	810	1034	410	673	946	403	74,1

R32 connections

Model	Liquid pipe diameter	Gas pipe diameter
UE MULTI 18 DUAL	2 x 1/4"	2 x 3/8"
UE MULTI 21 TRIAL	3 x 1/4"	3 x 3/8"
UE MULTI 27 TRIAL	3 x 1/4"	3 x 3/8"
UE MULTI 28 QUADRI	4 x 1/4"	3 x 3/8" - 1 x 1/2"
UE MULTI 36 QUADRI	4 x 1/4"	3 x 3/8" - 1 x 1/2"
UE MULTI 42 PENTA	5 x 1/4"	4 x 3/8" - 1 x 1/2"

The outdoor unit contains the right amount of R32 gas to allow a maximum distance between it and the indoor unit of 7,5 mt. A minimum route of 3 m is required for operation to reduce excess vibrations and noise to a minimum. Greater distances (in any case not above a maximum value) require the addition of gas (see technical sheet or instruction manual).





## MULTI Outdoor unit and Indoor unit compatibilities

Type	Art. no.	Nominal output power cooling (kW)	Nominal output power heating (kW)	Combinations
<b>UE MULTI 18 DUAL</b>	3.035043	5,28	5,57	Suitable for connection with up to 2 indoor units
<b>UE MULTI 21 TRIAL</b>	3.035044	6,15	6,45	Suitable for connection with up to 3 indoor units
<b>UE MULTI 27 TRIAL</b>	3.035045	7,91	8,21	Suitable for connection with up to 3 indoor units
<b>UE MULTI 28 QUADRI</b>	3.035046	8,21	8,79	Suitable for connection with up to 4 indoor units
<b>UE MULTI 36 QUADRI</b>	3.035047	10,55	10,55	Suitable for connection with up to 4 indoor units
<b>UE MULTI 42 PENTA</b>	3.035048	12,31	12,31	Suitable for connection with up to 5 indoor units
Suitable indoor units				
<b>UI GOTHA 9</b>	3.035039	2,64	2,93	Wall-hung
<b>UI GOTHA 12</b>	3.035041	3,52	3,81	Wall-hung
<b>UI THOR 9</b>	3.035031	2,64	2,93	Wall-hung
<b>UI THOR 12</b>	3.035033	3,52	3,81	Wall-hung
<b>UI THOR 18</b>	3.035035	5,28	5,39	Wall-hung
<b>UI THOR 24</b>	3.035037	7,03	7,33	Wall-hung
<b>UI CAS 9*</b>	3.035049	2,64	2,93	Box
<b>UI CAS 12*</b>	3.035050	3,52	3,81	Box
<b>UI CAS 18*</b>	3.035051	5,28	5,57	Box
<b>Box frame</b>	3.035052	-	-	UI CAS optional kit
<b>UI DUCT 9</b>	3.035053	2,64	2,93	Ductable
<b>UI DUCT 12</b>	3.035054	3,52	3,81	Ductable
<b>UI DUCT 18</b>	3.035055	5,28	6,01	Ductable
<b>UI SP 18</b>	3.035059	5,28	5,57	Ceiling/floor
<b>UI CONS 9</b>	3.035056	2,64	2,93	Console
<b>UI CONS 12</b>	3.035057	3,52	3,81	Console
<b>UI CONS 18</b>	3.035058	4,98	5,28	Console

\* To be installed with box frame kit code 3.035052.

Technical data	Measurement unit	UE MULTI 18 DUAL	UE MULTI 21 TRIAL	UE MULTI 27 TRIAL	UE MULTI 28 QUADRI	UE MULTI 36 QUADRI	UE MULTI 42 PENTA
Nominal output power cooling	Btu/h - kW	18.000 (5,28)	21.000 (6,15)	27.000 (7,91)	28.000 (8,21)	36.000 (10,55)	42.000 (12,31)
Output power cooling (max - min)	kW	5,28 - 2,05	6,15 - 2,05	7,91 - 2,05	8,21 - 2,05	10,55 - 2,05	12,31 - 2,05
Output power cooling (max - min)	Btu/h	18.000 - 7.000	21.000 - 7.000	27.000 - 7.000	28.000 - 7.000	36.000 - 7.000	42.000 - 7.000
Electr. abs. power cool. (nominal)	W	1635	1.905	2.450	2.540	3.270	3.800
Nominal output power heating	Btu/h - kW	19.000 (5,57)	22.000 (6,45)	28.000 (8,21)	30.000 (8,79)	36.000 (10,55)	42.000 (12,31)
Output power heating (max - min)	kW	5,57 - 2,35	6,45 - 2,35	8,21 - 2,35	8,79 - 2,35	11,14 - 2,35	12,31 - 2,35
Output power heating (max - min)	Btu/h	19.000 - 8.000	22.000 - 8.000	28.000 - 8.000	30.000 - 8.000	38.000 - 8.000	42.000 - 8.000
Electr. abs. power heat. (nominal)	W	1500	1.738	2.210	2.369	2.845	3.300
Power supply	V/Hz/Ph	220-240/50/1	220-240/50/1	220-240/50/1	220-240/50/1	220-240/50/1	220-240/50/1
EER	-	3,23	3,23	3,23	3,23	3,23	3,24
COP	-	3,71	3,71	3,71	3,71	3,71	3,73
SEER/Energy class	-	6,10	6,50	6,10	7,0	6,50	6,50
SCOP/Energy class	-	4,0	4,0	4,0	4,0	4,0	3,8
Outdoor unit sound pressure	dB(A)	54	55	55	63	62,5	61,5
Max single pipe length	m	25	30	30	35	35	35
Max total pipe length	m	40	60	60	80	80	80
Max height difference	m	15	15	15	15	15	15
Working range outdoor unit cooling	°C	-15 / 50	-15 / 50	-15 / 50	-15 / 50	-15 / 50	-15 / 50
Working range outdoor unit heating	°C	-15 / 24	-15 / 24	-15 / 24	-15 / 24	-15 / 24	-15 / 24
Refrigerant gas	-	R32	R32	R32	R32	R32	R32
GWP refrigerant	-	675	675	675	675	675	675
Gas pre-load	kg	1,25	1,50	1,80	2,10	2,10	2,90

## UI GOTHA

Indoor unit for **wall-hung installation**

- Air ionizer filter as standard
- Infrared remote control as standard
- Wi-Fi kit for control via **CLIMASMART app as standard**
- Refrigerant Gas R32
- Easy installation
- Installation flexibility
- Installation template as standard
- Available in 2 output powers



Model	Dimensions (H x W x D) mm	Net weight (kg)
UI GOTHA 9	296 x 805 x 205	8,7
UI GOTHA 12	296 x 805 x 205	8,7

Type	Art. no.	Nominal output power cooling (kW)	Nominal output power heating (kW)
UI GOTHA 9	3.035039	2,64	2,93
UI GOTHA 12	3.035041	3,52	3,81

Technical data	Measurement unit	UI GOTHA 9	UI GOTHA 12
Nominal output power cooling	Btu/h (kW)	9.000 (2,64)	12.000 (3,52)
Nominal output power heating	Btu/h (kW)	10.000 (2,93)	13.000 (3,81)
Indoor unit air flow (max-med-min)	m <sup>3</sup> /h	510 - 360 - 300	520 - 370 - 310
Sound pressure (max - med - min)	dB(A)	37 - 31 - 22	39 - 33 - 22
R32 connections (Liquid pipe diameter)	inches	1/4"	1/4"
R32 connections (Gas pipe diameter)	inches	3/8"	3/8"
Ø Condensate drain	mm	16	16

For further information see page 4.

## UI THOR

Indoor unit for **wall-hung installation**

- 4 output powers
- Infrared remote control as standard
- Refrigerant Gas R32
- Pre arranged for Wi-Fi kit for control via app (optional)
- Easy installation
- Installation flexibility
- Installation template as standard
- Available in 4 output powers



Model	Dimensions (H x W x D) mm	Net weight (kg)
UI THOR 9	292 x 729 x 204	8,0
UI THOR 12	296 x 805 x 205	8,7
UI THOR 18	321 x 971 x 230	11,2
UI THOR 24	337 x 1082 x 234	13,6

Type	Art. no.	Nominal output power cooling (kW)	Nominal output power heating (kW)
UI THOR 9	3.035031	2,64	2,93
UI THOR 12	3.035033	3,52	3,81
UI THOR 18	3.035035	5,28	5,39
UI THOR 24	3.035037	7,03	7,33

Technical data	Measurement unit	UI THOR 9	UI THOR 12	UI THOR 18	UI THOR 24
Nominal output power cooling	Btu/h (kW)	9.000 (2,64)	12.000 (3,51)	18.000 (5,28)	24.000 (7,03)
Nominal output power heating	Btu/h (kW)	10.000 (2,93)	13.000 (3,81)	18.400 (5,39)	25.000 (7,33)
Indoor unit air flow (max-med-min)	m <sup>3</sup> /h	460 - 330 - 260	530 - 400 - 350	800 - 600 - 500	1.090 - 770 - 610
Sound pressure (max - med - min)	dB(A)	37 - 32 - 22	37 - 32 - 22	41 - 37 - 31	46 - 37 - 34,5
R32 connections (Liquid pipe diameter)	inches	1/4"	1/4"	1/4"	3/8"
R32 connections (Gas pipe diameter)	inches	3/8"	3/8"	1/2"	5/8"
Ø Condensate drain	mm	16	16	16	16

For further information see page 8.



## UI CAS

Boxed indoor unit for **recessed ceiling installation**

- Infrared remote control as standard
- To be installed recessed in the ceiling. Ideal for areas such as offices, stores and meeting rooms
- Insulated frame with fan and four side air flow vents
- 360° air distribution system with 4 settable air flow deflectors
- Integrated condensate discharge pump as standard
- Box frame as separate kit, necessary for installation (dimensions mm 620x620x50)
- Pre arranged for Wi-Fi kit for control via app (optional)
- Available in 3 output powers



The image represents UI CAS combined with box frame kit

Model	Dimensions (H x W x D) mm	Net weight (kg)
UI CAS 9	245 x 570 x 570	145
UI CAS 12	245 x 570 x 570	161
UI CAS 18	245 x 570 x 570	162

Type	Art. no.	Nominal output power cooling (kW)	Nominal output power heating (kW)
UI CAS 9*	3.035049	2,64	2,93
UI CAS 12*	3.035050	3,52	3,81
UI CAS 18*	3.035051	5,28	5,57
Box frame kit	3.035052	-	-

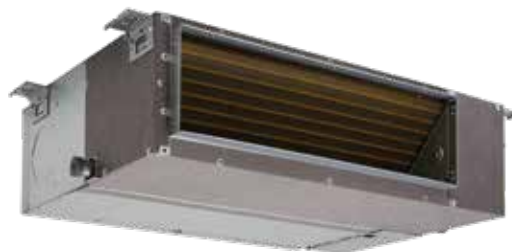
\* to be installed with box frame kit code 3.035052.

Technical data	Measurement unit	UI CAS 9	UI CAS 12	UI CAS 18
Nominal output power cooling	Btu/h - kW	9.000 - 2,64	12.000 - 3,52	18.000 - 5,28
Nominal output power heating	Btu/h - kW	10.000 - 2,93	13.000 - 3,81	19.000 - 5,57
Indoor unit air flow (max-med-min)	m <sup>3</sup> /h	580/500/300	620/520/300	660/540/300
Sound pressure (max - med - min)	dB(A)	39 - 37 - 35	41 - 38 - 35	43 - 39,5 - 35,5
R32 connections (Liquid pipe diameter)	inches	1/4"	1/4"	1/4"
R32 connections (Gas pipe diameter)	inches	3/8"	3/8"	1/2"
Ø Condensate drain	mm	25	25	25

## UI DUCT

Ductable indoor unit for recessed installation or in false ceiling

- Wired control panel as per standard
- Suitable for installation recessed or in ceiling. Ideal for areas such as offices, restaurants, stores, meeting rooms and hotel
- Made of insulated steel to avoid thermal dispersion, condensate production and ensure high quality acoustic comfort
- Fan with speed settings to reach head up to 100 Pa (mod. 18) or 60 Pa (mod. 9-12)
- Integrated condensate discharge pump as standard
- Pre arranged for Wi-Fi kit for control via app (optional)
- Available in 3 powers



Model	External dimensions (W x H x D) mm	Net weight (kg)
UI DUCT 9	700 x 200 x 506	16,6
UI DUCT 12	700 x 200 x 506	16,6
UI DUCT 18	700 x 245 x 750	24,4

Type	Art. no.	Nominal output power cooling (kW)	Nominal output power heating (kW)
UI DUCT 9	3.035053	2,64	2,93
UI DUCT 12	3.035054	3,52	3,81
UI DUCT 18	3.035055	5,28	6,01

Technical data	Measurement unit	UI DUCT 9	UI DUCT 12	UI DUCT 18
Nominal output power cooling	Btu/h - kW	9.000 - 2,64	12.000 - 3,52	18.000 - 5,28
Nominal output power heating	Btu/h - kW	10.000 - 2,93	13.000 - 3,81	20.500 - 6,01
Indoor unit air flow (max-med-min)	m <sup>3</sup> /h	620/540/450	660/570/470	900/780/650
Useful head (min. - max.)	Pa	25 (0 - 40)	25 (0 - 60)	25 (0 -100)
Sound pressure (max - med - min)	dB(A)	40 - 34,5 - 27,5	41 - 38 - 34	41 -38 - 34
R32 connections (Liquid pipe diameter)	inches	1/4"	1/4"	1/4"
R32 connections (Gas pipe diameter)	inches	3/8"	3/8"	1/2"
Ø Condensate drain	mm	25	25	25



## UI SP

**Indoor unit** for installation on ceiling or floor

- Infrared remote control as standard
- Design with rounded lines allowing installation either on the floor or ceiling
- Ideal for medium to large sized rooms, residential or commercial
- Oriented air flow with motorised deflector
- Pre arranged for Wi-Fi kit for control via app (optional)
- Available in 18.000 Btu/h version



Model	Dimensions* (H x W x D) mm	Net weight (kg)
UI SP 18	235 x 1068 x 675	28,0

\* Data referred to ceiling installation.

Type	Art. no.	Nominal output power cooling (kW)	Nominal output power heating (kW)
UI SP 18	3.035059	5,28	5,57

Technical data	Measurement unit	UI SP 18
Nominal output power cooling	Btu/h - kW	18.000 - 5,28
Nominal output power heating	Btu/h - kW	19.000 - 5,57
Indoor unit air flow (max-med-min)	m <sup>3</sup> /h	958 - 839 - 723
Sound pressure (max - med - min)	dB(A)	43,5 - 41,0 - 36,5
R32 connections (Liquid pipe diameter)	inches	1/4"
R32 connections (Gas pipe diameter)	inches	1/2"
Ø Condensate drain	mm	32



## UI CONS

**Console indoor unit** for limited vertical space installation

- Infrared remote control as standard
- Very compact design, for installations with limited vertical space (e.g. under window)
- Optimal solution for air conditioning small rooms
- Double air diffusion to limit heat stratification during the winter season
- Pre arranged for Wi-Fi kit for control via app (optional)
- Available in 3 different powers



Model	Dimensions (W x H x D) mm	Net Weight (kg)
UI CONS 9	794 x 621 x 200	14,9
UI CONS 12	794 x 621 x 200	14,9
UI CONS 18	794 x 621 x 200	14,9

Type	Art. no.	Nominal output power cooling (kW)	Nominal output power heating (kW)
UI CONS 9	3.035056	2,64	2,93
UI CONS 12	3.035057	3,52	3,81
UI CONS 18	3.035058	4,98	5,28

Technical data	Measurement unit	UI CONS 9	UI CONS 12	UI CONS 18
Nominal output power cooling	Btu/h – kW	9.000 – 2,64	12.000 – 3,52	17.000 – 4,98
Nominal output power heating	Btu/h – kW	10.000 – 2,93	13.000 – 3,81	18.000 – 5,28
Indoor unit air flow (max–med–min)	m <sup>3</sup> /h	650/580/490	650/580/490	780/690/600
Sound pressure (max – med – min)	dB(A)	37 – 34 – 27	37 – 34 – 27	41 – 38 – 32
R32 connections (Liquid pipe diameter)	inches	1/4"	1/4"	1/4"
R32 connections (Gas pipe diameter)	inches	3/8"	3/8"	3/8"
Ø Condensate drain	mm	16	16	16



## Possible combinations between indoor and outdoor units

In the following table are the possible configurations based on indoor and outdoor unit power. When the sum of the indoor units power is higher than the outdoor unit power, the system will automatically distribute it between all indoor units. To find the technical features of each indoor and outdoor unit, check the technical sheet available on the website [immergas.com](http://immergas.com)



Outdoor unit	Numbers indoor units	Output power indoor units														
UE MULTI 18 DUAL	1	12	18													
	2	9+9	9+12	9+18	12+12	12+18										
UE MULTI 21 TRIAL	1	12	18	24												
	2	9+9	9+12	9+18	12+12	12+18										
	3	9+9+9														
UE MULTI 27 TRIAL	1	18	24													
	2	9+9	9+12	9+18	12+12	12+18										
	3	9+9+9	9+9+12	9+9+18	9+12+12	12+12+12										
UE MULTI 28 QUADRI	2	9+9	9+12	9+18	9+24	12+12	12+18	12+24								
	3	9+9+9	9+9+12	9+9+18	9+9+24	9+12+12	9+12+18	9+12+24	12+12+12	12+12+18						
	4	9+9+9+9	9+9+9+12	9+9+9+18	9+9+9+24	9+9+9+12	9+9+9+18	9+9+9+24								
	2	9+9	9+12	9+18	9+24	12+12	12+18	12+24								
UE MULTI 36 QUADRI	3	9+9+9	9+9+12	9+9+18	9+9+24	9+12+12	9+12+18	9+12+24	12+12+12	12+12+18	12+12+24					
	4	9+9+9+9	9+9+9+12	9+9+9+18	9+9+9+24	9+9+9+12	9+9+9+18	9+9+9+24	12+12+12	12+12+18	12+12+24					
	2	9+12	9+18	9+24	12+12	12+18	12+24									
UE MULTI 42 PENTA	3	9+9+9	9+9+12	9+9+18	9+9+24	9+12+12	9+12+18	9+12+24	12+12+12	12+12+18	12+12+24					
	4	9+9+9+9	9+9+9+12	9+9+9+18	9+9+9+24	9+9+9+12	9+9+9+18	9+9+9+24	9+12+9+12	9+12+9+18	9+12+9+24	12+12+9+12	12+12+9+18	12+12+9+24		
	5	9+9+9+9+9	9+9+9+9+12	9+9+9+9+18	9+9+9+9+24	9+9+9+9+12	9+9+9+9+18	9+9+9+9+24	9+9+9+9+12	9+9+9+9+18	9+9+9+9+24	9+12+9+9+12	9+12+9+9+18	9+12+9+9+24	12+12+9+9+12	12+12+9+9+18
	2	9+12	9+18	9+24	12+12	12+18	12+24									
	3	9+9+9	9+9+12	9+9+18	9+9+24	9+12+12	9+12+18	9+12+24	12+12+12	12+12+18	12+12+24					

## Suitable indoor units

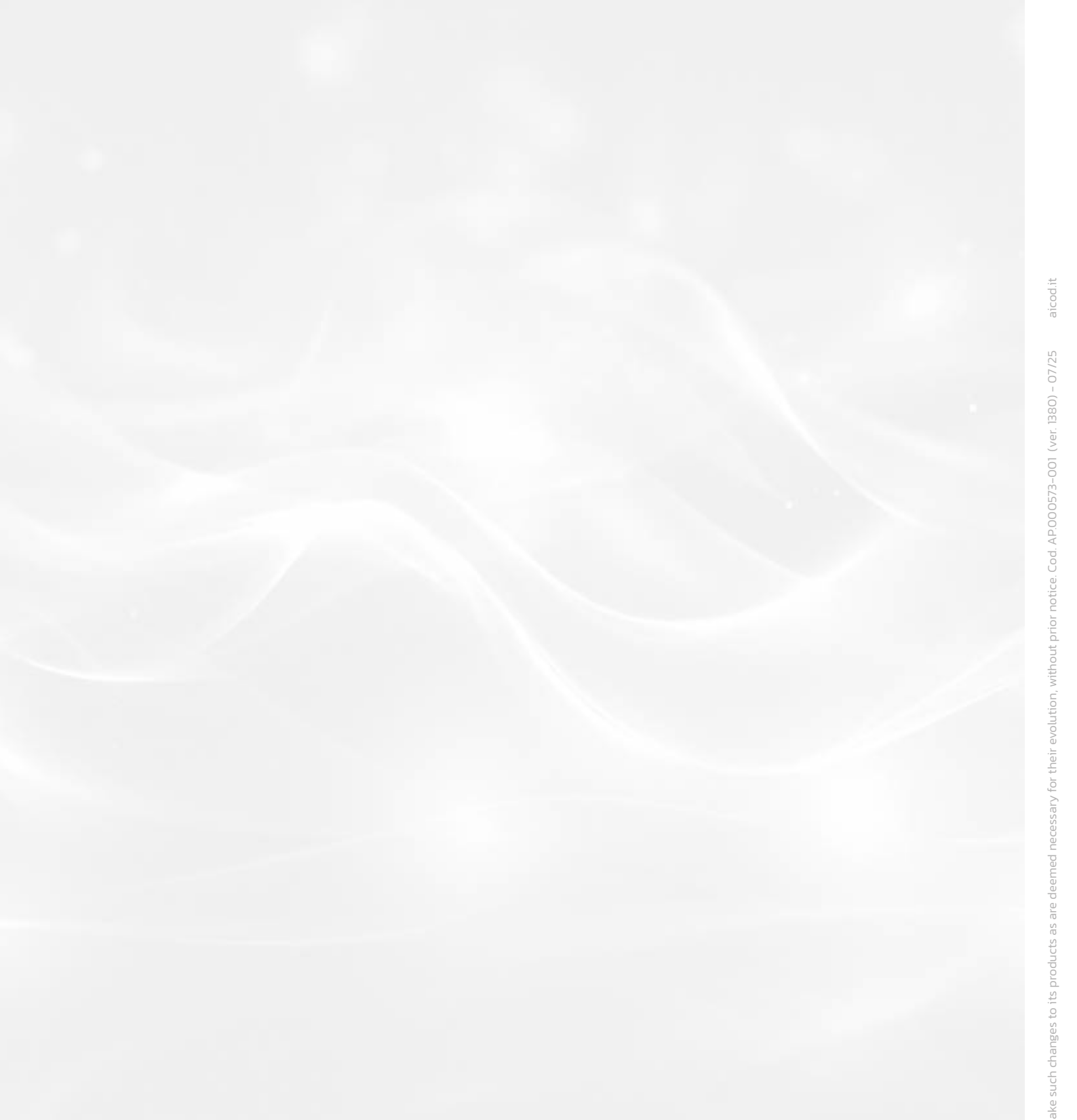
Summary of available indoor units based on output power.

Nominal output power cooling (Btu/h - kW)	Wall-hung	Box	Ductable	Console	Ceiling/Floor
9.000 - 2,64	UI GOTHA 9	UI THOR 9	UI CAS 9	UI DUCT 9	UI CONS 9
12.000 - 3,52	UI GOTHA 12	UI THOR 12	UI CAS 12	UI DUCT 12	UI CONS 12
18.000 - 5,28		UI THOR 18	UI CAS 18	UI DUCT 18	UI CONS 18
24.000 - 7,03		UI THOR 24	-	-	-

## Optional

Type		Art. no.
<b>Wi-Fi Kit for THOR wall-hung indoor unit and console (UI CONS).</b> USB key included		3.035060
<b>Wi-Fi kit for ductable indoor Unit (UI DUCT) and ceiling/floor (UI SP).</b> Gateway and USB key included		3.035061
<b>Wi-Fi Kit for boxed indoor unit (UI CAS) recessed or in false ceilings configurations,</b> Wiring included		3.035344
<b>Frame box kit UI CAS</b> (Dimensions mm 620 x 620 x 50)		3.035052
<b>Antivibrations supports for THOR 9-12 and GOTHA 9-12 outdoor unit</b>		3.035408
<b>Antivibrations supports for THOR 18-24 and MULTI 18-42 outdoor unit</b>		3.035409
<b>Wall mounting brackets L.700 mm for THOR, GOTHA and MULTI 18-27 outdoor unit</b>		3.034758
<b>Wall mounting brackets L.800 mm for MULTI 28-42 outdoor unit</b>		3.035411
<b>Condensate drain kit for THOR and GOTHA outdoor unit</b>		3.035345





**Immergas S.p.a.**

42041 Brescello (RE) - Italy

T. 0522.689011



[immergas.com](https://www.immergas.com)

